

IMPALA™ & FULL SIZE



2010

Dynacorn International Inc.

Full Size Chevy® Index

Air Vent Assemblies: FS2
Battery Trays, Clamps, Bolts: FS1
Door Latches: FS2

Front Valances: FS1
Fuel Senders: FS1
Headlamp Bezels: FS2

Hood Hinges & Latches: FS2
Parking Brake Assemblies: FS2
Scuff Plates: FS2



General Motors Trademarks
are used under License to
Dynacorn International Inc.

Impala™ Index

A

A/C Vent Ball: 38
Arm Rest Bases: 24

B

“Body By Fisher” Decal: 36
Back Up Lenses & Trim: 38
Battery Trays, Clamps & Bolts: 6
Body Shims: 4
Bumpers: 1
 Brackets: 2
 Guards: 2
 Reinforcement: 2
Bushings, Body & Trailing Arm: 40

C

Cigarette Lighter: 39
Clutch Countershaft (Z-Bar): 35
Control Arm Bumper: 40
Cowl Panels, Outer: 6
Cross Rail Panel: 16

D

Dash Panel, Steel: 9
Deck Lid Filler Panel: 14
Door Glass Assemblies: 20
 Handles
 Exterior: 21, 22
 Interior: 22
 Hinges: 20
 Latches & Striker: 21
 Lock Knobs & Molding: 23
 Lower Window Frames: 20
 Shells: 20
Drip Rail Molding: 33

E

Emblems: 24
Eyebrow Moldings: 26

F

Fender
 Brace Skirts: 4
 Front: 3
 Inner: 4
 Moldings: 30
 To Valance Bracket: 4
Floor Pans: 9, 10
Plug: 9

Floor Pan Under Supports: 10
Fresh Air Vent Assemblies: 38
Fuel Sending Units: 15
 Gasket & Locking Ring: 15

G

Gas Filler Door: 14
Gas Tanks, Straps & Braces: 14
Glovebox Door & Hinge: 35
Grilles & Components: 25-28
Grille Molding: 25

H

Header Panel: 3
Headlamp Bezels: 25-28
Headlamp Mounting Buckets: 25-28
Headlamp Switches: 39
Heater Box Assemblies & Cores: 37
Heater Core Case Vent: 37
Hoods: 7
 Hinges, Latches, Supports: 8
 Moldings & Spears: 29
Horns: 40
Horn Caps: 36

L

License Panels: 34
License Plate Bracket: 14
Locks: 40

M

Mirrors
 Exterior: 31
 Interior: 37

P

Parking Brake
 Assemblies & Cable Guide Pulley: 34
 Release Handle: 35
Parking Lamp Components: 38
Pedal Pads & Trim: 35

Q

Quarter “B” Pillar Panels: 11
Quarter Extension Molding: 33
Quarter Panels: 12
Quarter Panel Molding: 32

R

Radiator Supports: 5
Rear Body Panels: 15
Rear Seat Floor Pan: 10
Rocker Panels: 11
Rocker Panel Molding & Clips: 31
Roof Drip Rails: 9

S

Scuff Plates: 31
Seat Belts: 42
Seat Frame Assemblies: 12
Seat Platform Braces: 11
Steering Wheels: 36
Sun Visor Brackets: 37

T

Tail Lamp Components: 39
Tail Light Mounting Panels: 13
Tail Panel Brace: 15
Transmission Support, Crossmember: 10
Trunk Divider Panel: 16
Trunk
 Floor Pans: 17-19
 Floor Drop Offs: 19
Trunk
 Lids & Latch: 16
 Molding: 33
 Shelf Panel: 17
 Spear: 32
 Under Braces: 19
 Weatherstrip Channel: 19

V

Vent Window Actuator: 21
Vent Window Cranks: 22

W

Wheel Houses & Braces: 13
Wheel Opening Moldings: 29, 30
Window Cranks: 23
Window Moldings
 Front: 30
 Rear: 32
Window Regulators: 21
Window Seals, Rubber: 24
Windshield Washer Bottle Bracket: 6
Windshield Wiper Switches: 39
Wiper Arms: 29

FULL SIZE CHEVY

Front Valances



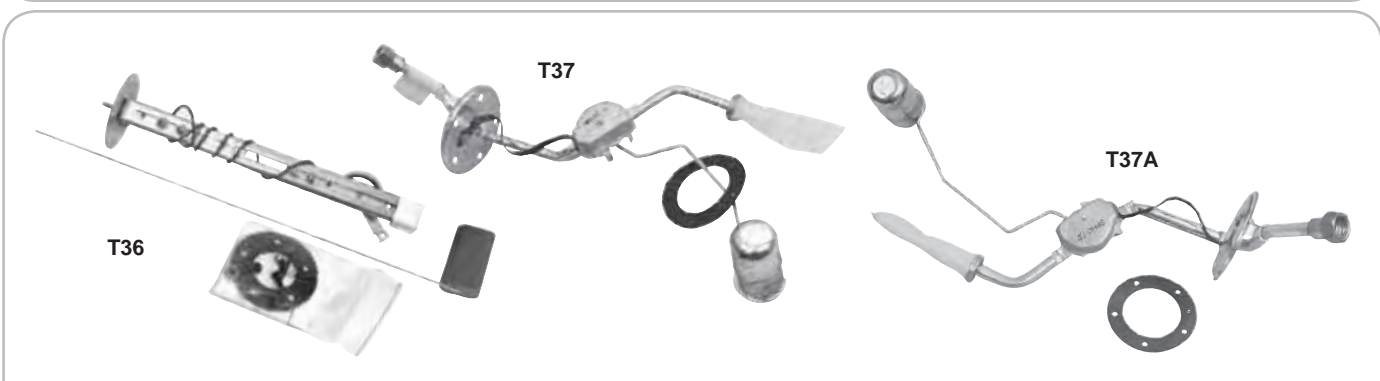
4002	1955	Front Valance Assembly, 3 pieces	\$128.25 ea
4000	1956	Front Valance Assembly	\$128.25 ea
4001	1957	Front Valance Assembly	\$128.25 ea

Battery Trays & Clamps



1100K	1940-54	Battery Clamp	\$13.50 ea
M1721B	1949-54	Battery Tray	\$25.75 ea
M1721K	1949-58	Battery Clamp Bolts	\$5.50 pr
M1721C	1955-56	Battery Tray	\$20.25 ea
1100E	1955-57	Battery Hold Down	\$9.50 ea
M1721D	1957	Battery Tray	\$20.25 ea

Fuel Senders



T36	1931-54	Fuel Sending Unit	\$35.25 ea
T37	1955-57	Fuel Sending Unit, 5/16"	\$47.25 ea
T37A	1955-57	Fuel Sending Unit, 3/8"	\$33.75 ea

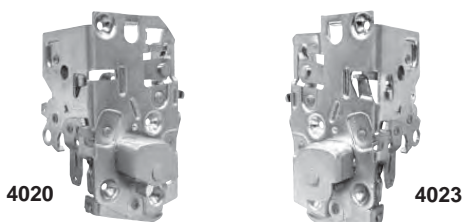


Headlamp Bezels



M1718A 1949-52 Headlamp Bezels **\$25.50 pr**

Door Latches



4020	1955	Door Latch, RH
4021	1955	Door Latch, LH
4022	1956-57	Door Latch, RH
4023	1956-57	Door Latch, LH

\$79.75 ea

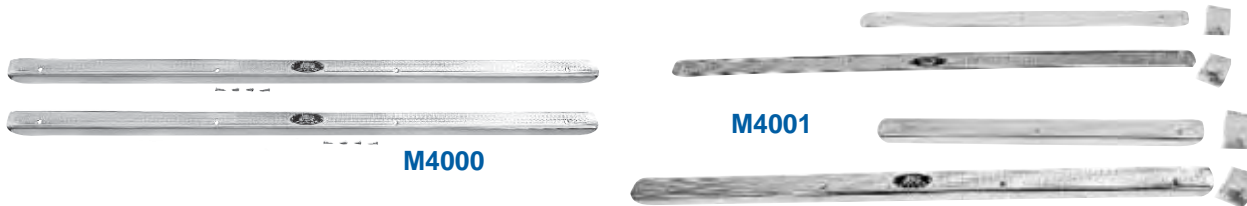
Air Vent Assemblies



4040	1955-56	Air Vent Assembly, RH
4041	1955-56	Air Vent Assembly, LH

\$78.00 ea

Scuff Plates



M4000	New	1955-57	Scuff Plates for 2 door, 2 pcs.	\$52.75 pr
M4001	New	1955-57	Scuff Plates for 4 door, 4 pcs.	\$83.75 set

Hood Hinges



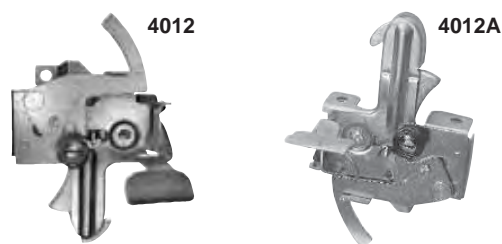
4010	1955-56	Hood Hinge, RH
4011	1955-56	Hood Hinge, LH

\$57.75 ea

4014	New	1957	Hood Hinge, RH
4015	New	1957	Hood Hinge, LH

\$106.75 ea

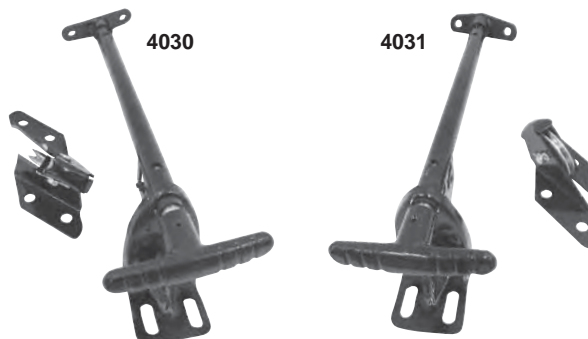
Hood Latches



4012	1955	Hood Latch
4012A	1956	Hood Latch
4013	1957	Hood Latch

\$66.25 ea

Parking Brake Assys.



4030	1955-56	Parking Brake Assembly
4031	1957	Parking Brake Assembly

\$87.75 ea



IMPALA™



Bumpers



1705K	1962	Front Bumper	\$349.75 set
1705L	1962	Rear Bumper	\$349.75 set
1705B	1963	Front Bumper, 3 pieces	\$349.75 set
1705C	1963	Rear Bumper, 3 pieces	\$349.75 set



1705A	1964	Front Bumper, 3 pieces	\$349.75 set
1705	1964	Rear Bumper, 3 pieces	\$349.75 set



1705M	New	1965	Front Bumper	\$349.75 set
1705E		1965	Rear Bumper, 3 pieces	\$349.75 set



1705G	1966	Front Bumper, 3 pieces	\$349.75 set
1700W	1966	Front Lower Bumper, Painted	\$214.75 ea
1700X	1966	Front Lower Bumper, Chrome	\$295.75 ea
1705J	1966	Rear Bumper, 3 pieces	\$349.75 set



Bumper Guards



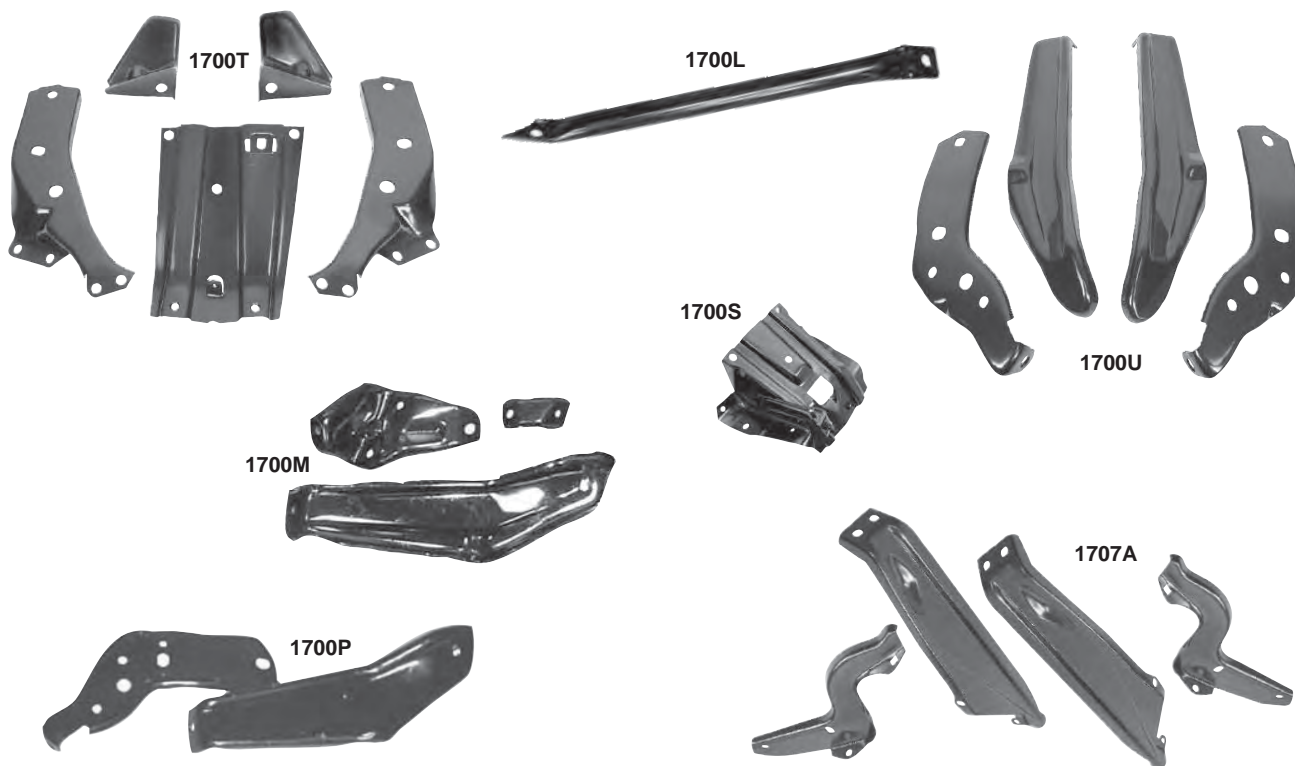
1705GA 1966 Front Bumper Guards
\$60.75 pr

Bumper Reinforcement



1705H	New	1962-63	Front Bumper Center Reinforcement Bar
Coming Soon!			
1700R		1964	Front Bumper Center Reinforcement Bar
			\$50.00 ea

Bumper Brackets, Brace



1700K	1962-64	Front Bumper Bracket, RH	\$17.75 ea
1700L	1962-64	Front Bumper Bracket, LH	\$17.75 ea
1700S	1964	Front Bumper Center Brace	\$43.25 ea
1700T	1963	Front Bumper Brackets, 5 pieces	\$129.75 set
1700U	1963	Rear Bumper Brackets, 4 pieces	\$120.25 set
1700M	1964	Front Bumper Brackets, RH 3 pieces	\$47.25 set
1700N	1964	Front Bumper Brackets, LH 3 pieces	\$47.25 set
1700P	1964	Rear Bumper Brackets, RH 2 pieces	\$47.25 set
1700Q	1964	Rear Bumper Brackets, LH 2 pieces	\$47.25 set
1707A	1966	Front Bumper Arms, 4 pieces	\$106.75 set



Bumper Fillers



1700CA	New	1962	Front Bumper Filler	\$77.00 ea
1700		1963	Front Bumper Filler	\$77.00 ea
1700C		1964	Front Bumper Filler	\$93.25 ea



1739	1966	Header Panel	\$128.25 ea
------	------	--------------	--------------------

Header Panel



1702Y	New	1962	Front Fender, RH	\$403.50 ea
1702Z	New	1962	Front Fender, LH	\$403.50 ea
1703		1963	Front Fender, RH	\$336.25 ea
1704		1963	Front Fender, LH	\$336.25 ea
1703A		1964	Front Fender, RH	\$349.75 ea
1704A		1964	Front Fender, LH	\$349.75 ea
1704D	New	1966	Front Fender, RH	Coming Soon!
1704E	New	1966	Front Fender, LH	Coming Soon!

Front Fenders



Body Shims



1000F



1000D



1000E



GM03

1000F	1964-72	Body Shims, 6 mm, 10 pc. set	\$8.25 set
1000D	1964-72	Body Shims, 3 mm, 10 pc. set	\$5.00 set
1000E	1966	Body Shims, 1.6 mm, 10 pc. set	\$5.00 set
GM03		Body Washers, 20 pc. set	\$13.50 set

Fender/Valance Brkt.



1704B 1964 Fender To Valance Bracket

\$5.50 ea

Fender Brace Skirts

1702R



Reverse View

1702S

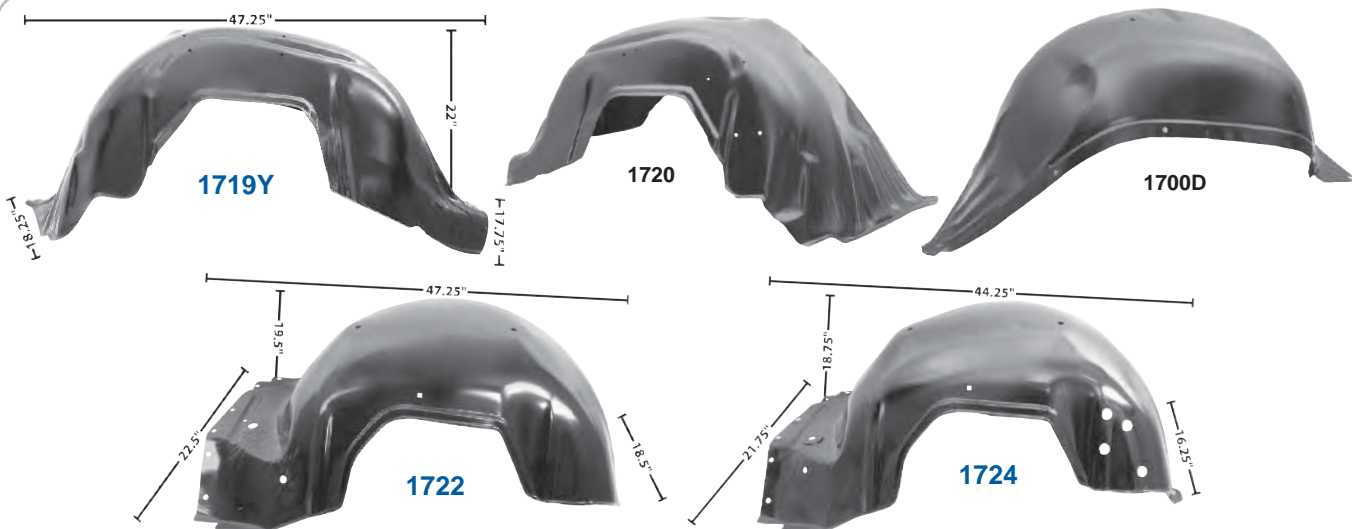


Reverse View

1702R	New	1962	Fender Brace Skirt, RH
1702S	New	1962	Fender Brace Skirt, LH

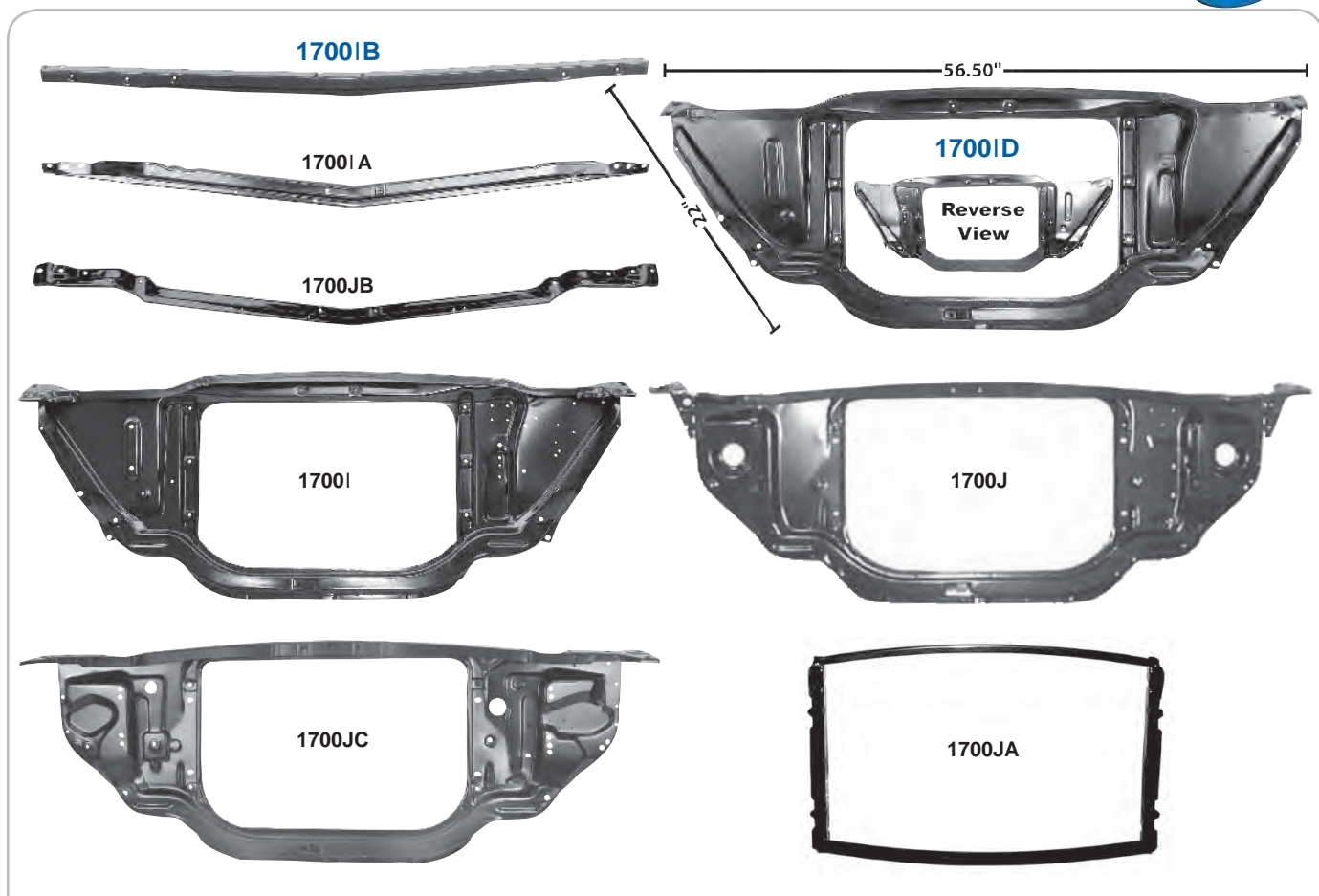
\$60.75 ea

Inner Fenders

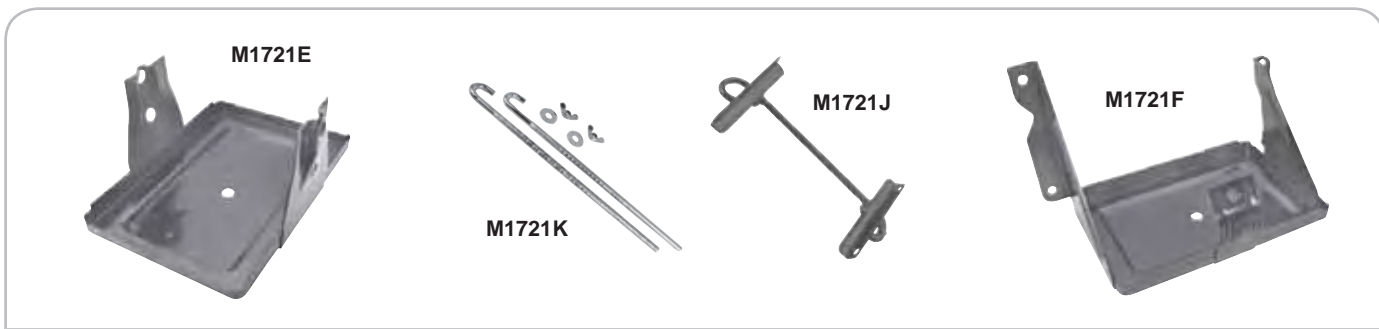


1719Y	New	1962	Inner Fender, RH	\$147.25 ea
1719Z	New	1962	Inner Fender, LH	\$147.25 ea
1720		1963	Inner Fender, RH	\$147.25 ea
1721		1963	Inner Fender, LH	\$147.25 ea
1700D		1964	Front Fender, RH	\$133.75 ea
1700E		1964	Front Fender, LH	\$133.75 ea
1722	New	1965	Inner Fender, RH	\$147.25 ea
1723	New	1965	Inner Fender, LH	\$147.25 ea
1724	New	1966	Inner Fender, RH	\$147.25 ea
1725	New	1966	Inner Fender, LH	\$147.25 ea





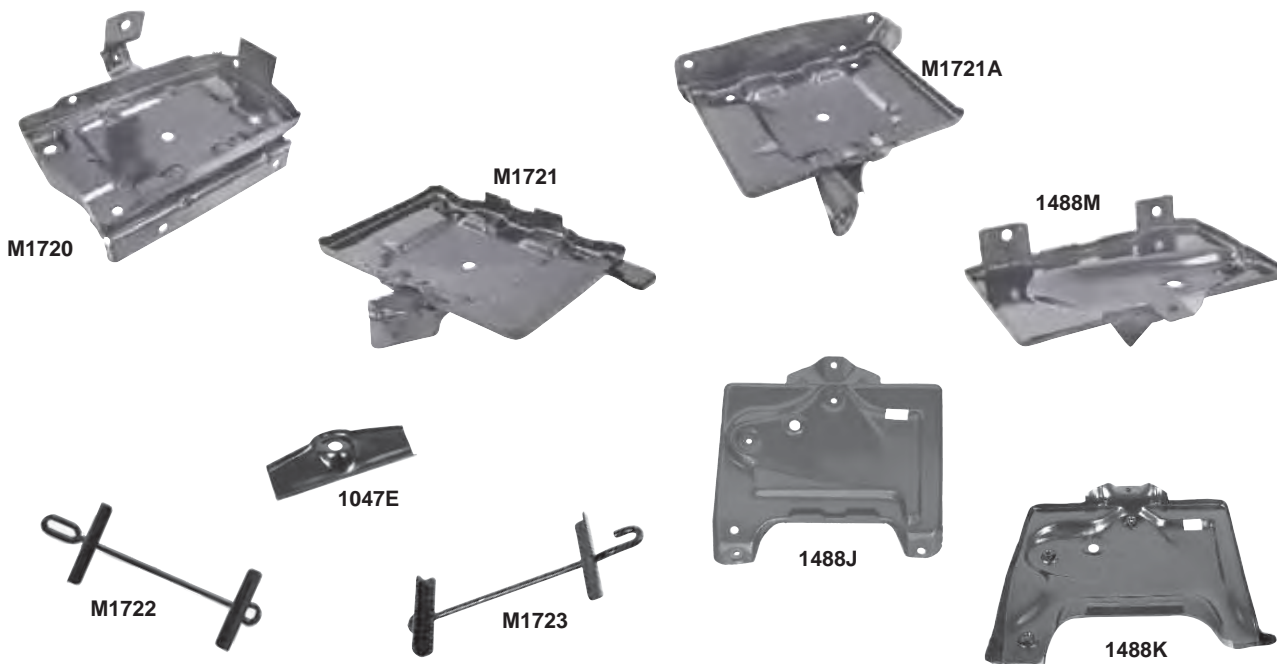
1700ID	New	1962	Radiator Support	\$187.75 ea
1700IB	New	1962	Upper Radiator Support	\$75.50 ea
1700I		1963	Radiator Support	\$160.75 ea
1700IA		1963	Upper Radiator Support	\$39.25 ea
1700J		1964	Radiator Support	\$160.75 ea
1700JB		1964	Upper Radiator Support, Black	\$39.25 ea
1700JC		1965	Radiator Support	\$201.25 ea
1700JA		1965-66	Radiator Support Frame, Black, For Small Block	\$47.25 ea



M1721E		1958	Battery Tray	\$25.75 ea
M1721J		1957-58	Battery Tray Clamp	\$6.75 ea
M1721K		1958	Battery Clamp Bolts	\$5.50 pr
M1721F		1959-61	Battery Tray	\$24.50 ea



Battery Trays, Clamps & Bolts



M1720	1962-63	Battery Tray	\$15.00 ea
M1722	1962-63	Battery Tray Clamp	\$8.25 ea
M1721	1964	Battery Tray	\$15.00 ea
M1723	1964	Battery Tray Clamp	\$8.25 ea
M1721A	1965	Battery Tray	\$17.75 ea
1488M	1966	Battery Tray	\$15.00 ea
1047E	1966-76	Battery Tray Clamp	\$3.00 ea
1488J	1967	Battery Tray	\$15.00 ea
1488K	1968-70	Battery Tray	\$15.00 ea

Washer Bottle Bracket



1425	1962-70	Windshield Washer Bottle Bracket	\$10.75 ea
------	---------	----------------------------------	------------

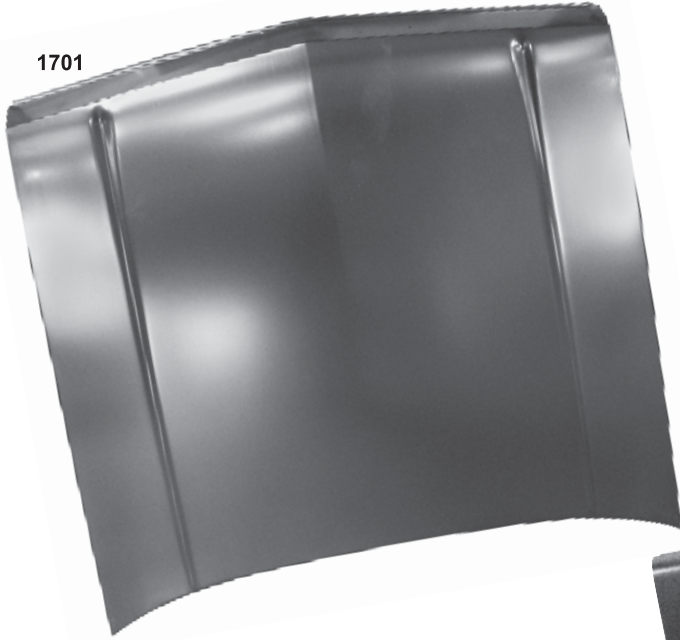
Outer Cowl Panels



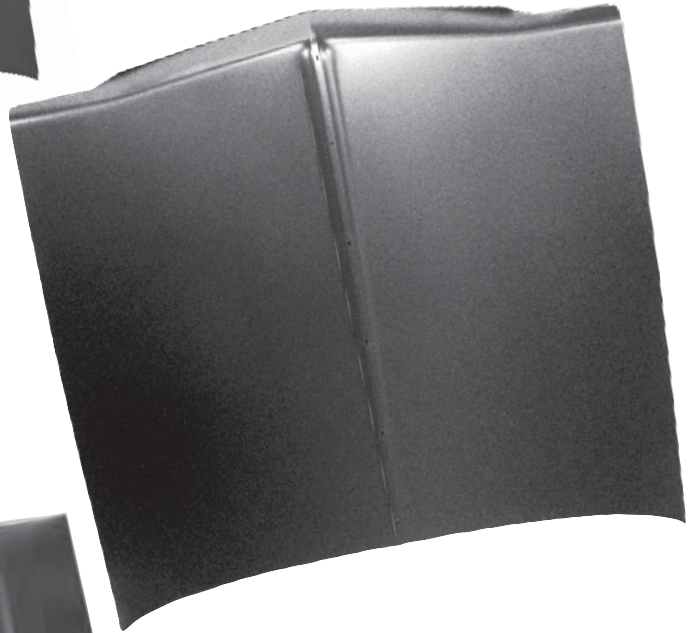
1784	1962-64	Outer Cowl Panel, RH	\$46.00 ea
1785	1962-64	Outer Cowl Panel, LH	



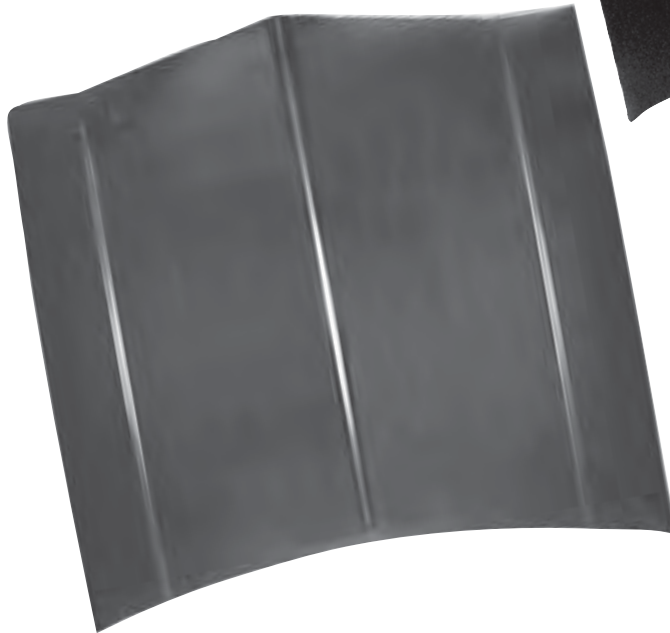
1701



1702



1706



1701	1963	Hood	\$376.75 ea
1702	1964	Hood	\$376.75 ea
1706	1965-66	Hood	\$390.00 ea

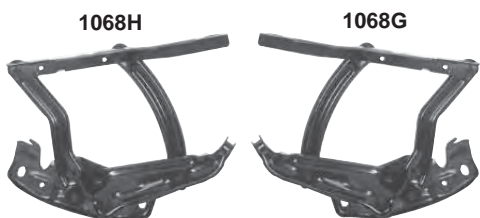


Hood Hinges



1701A 1963-64 Hood Hinge RH
1701B 1963-64 Hood Hinge LH

\$39.25 ea



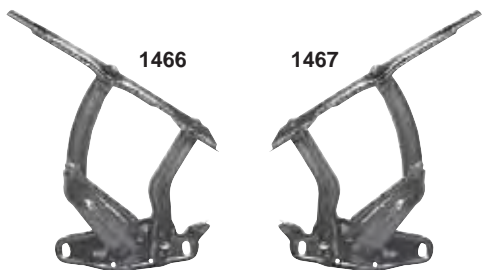
1068G 1965-67 Hood Hinge RH
1068H 1965-67 Hood Hinge LH

\$39.25 ea



1464Y 1968 Hood Hinge RH
1464Z 1968 Hood Hinge LH

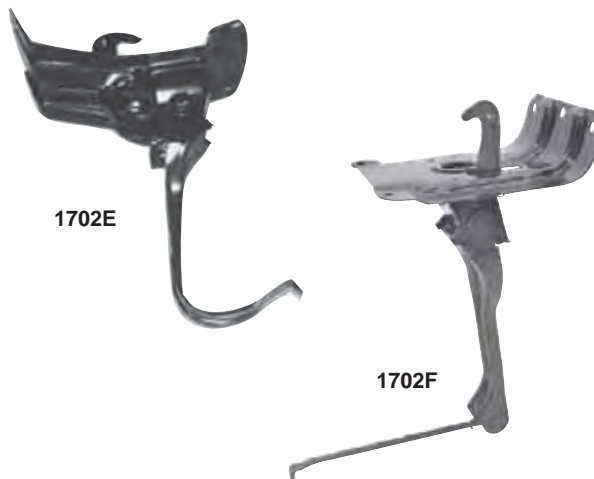
\$42.00 ea



1466 1970 Hood Hinge RH
1467 1970 Hood Hinge LH

\$43.25 ea

Hood Latches & Catch



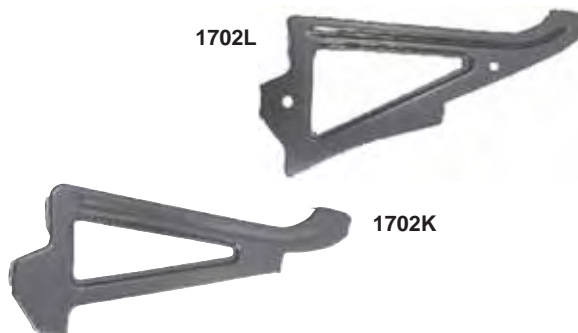
1702E 1963 Hood Latch Assembly
1702F 1964 Hood Latch Assembly

\$46.00 ea

1701X New 1962 Hood Catch

Coming Soon!

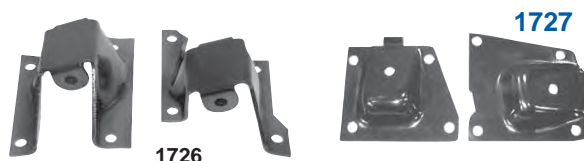
Hood Latch Supports



1702K 1965 Hood Latch Support
1702L 1966 Hood Latch Support

\$32.50 ea

Engine Mounts



1726 1958-64 Engine Mounts for V8

\$39.25 pr

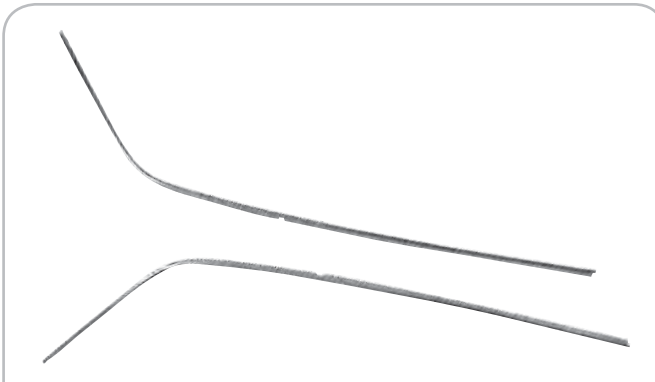
1727 New 1963-64 Engine Mounts for 6 Cylinder

\$24.50 pr



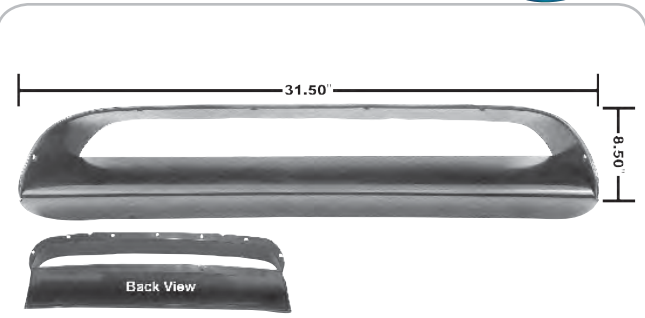
Dash Panel

Complete Floor Pan




1795	New	1962-64	Roof Drip Rails
\$125.25 pr			

Roof Drip Rails



1728	New	1963-64	Steel Dash Panel
\$155.25 ea			



1700GX	1961-64	Complete Floor Pan		\$899.00 ea
1783	1965-70	Complete Floor Pan w/braces, rocker panels and rear seat pan		\$999.00 ea
1047F	1961-81	Floor Pan Plug		\$3.00 ea



Full Floor Pans

1700F



1783R



1700F	1961-64	Full Floor Pan RH	\$105.50 ea
1700G	1961-64	Full Floor Pan LH	\$105.50 ea
1783R	1965-70	Floor Pan, RH	\$105.50 ea
1783L	1965-70	Floor Pan, LH	\$105.50 ea

Rear Seat Pans

1780



1781



1780	1961-64	Rear Seat Floor Pan	\$79.75 ea
1781	1965-70	Rear Seat Floor Pan	\$79.75 ea

Floor Pan Under Supports

1766A



1766F



1766A	1961-64	Front Floor Pan Brace
1766F	1961-64	Rear Floor Pan Brace

\$75.75 ea

1783A



1783B



1783C



1783A	1965-70	Front Floor Pan Under Support
1783B	1965-70	Center Floor Pan Under Support
1783C	1965-70	Rear Floor Pan Under Support

\$83.75 ea

Trans. Support

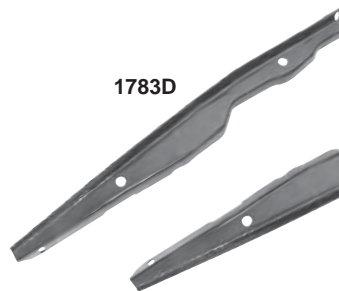


1766G New 1961-64 Crossmember Transmission Support

\$59.50 ea

Side Under Supports

1783D



1783E



1783D	1965-70	Floor Side Under Support, RH
1783E	1965-70	Floor Side Under Support, LH

\$52.75 ea



Seat Platform Braces



1766B



1766C

1766B	1961-64	Pan Brace Under Front Seat, RH	\$62.25 ea
1766C	1961-64	Pan Brace Under Front Seat, LH	\$62.25 ea



1766D

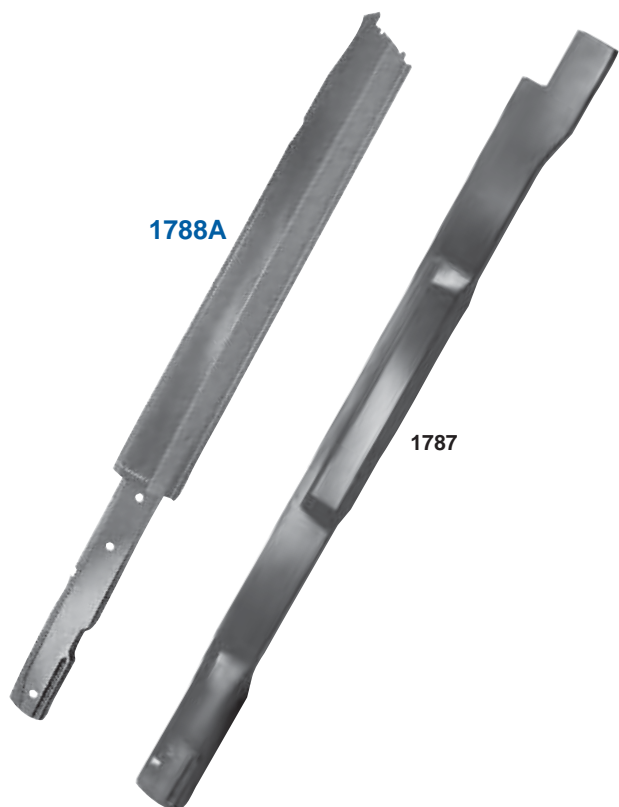


1766E

1766D	1961-64	Pan Brace Under Rear Seat, RH	\$51.50 ea
1766E	1961-64	Pan Brace Under Rear Seat, LH	\$51.50 ea

Quarter "B" Pillar Panels

Rocker Panels



1788A

1787

1788	New	1963	Rocker Panel, RH
1789	New	1963	Rocker Panel, LH

Coming Soon!

1788A	New	1964	Rocker Panel, RH
1789A	New	1964	Rocker Panel, LH

\$159.50 ea

1786	1965-67	Rocker Panel, Inner RH
1787	1965-67	Rocker Panel, Inner LH

\$59.50 ea



1733A



1733B

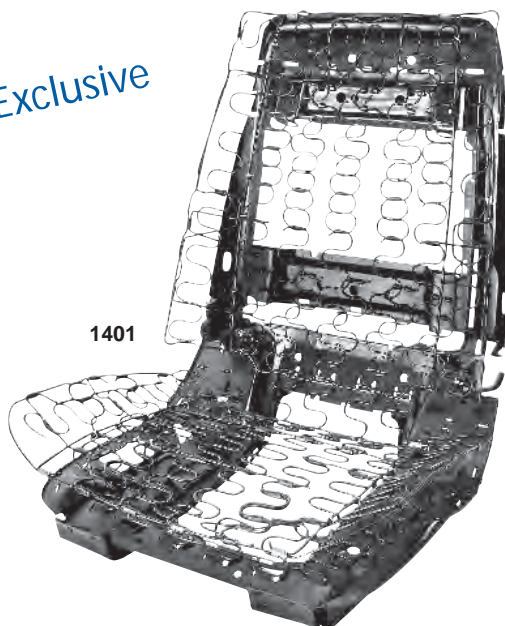
1733A	New	1963-64	Quarter "B" Pillar Panel, RH
1733B	New	1963-64	Quarter "B" Pillar Panel, LH

\$120.25 ea

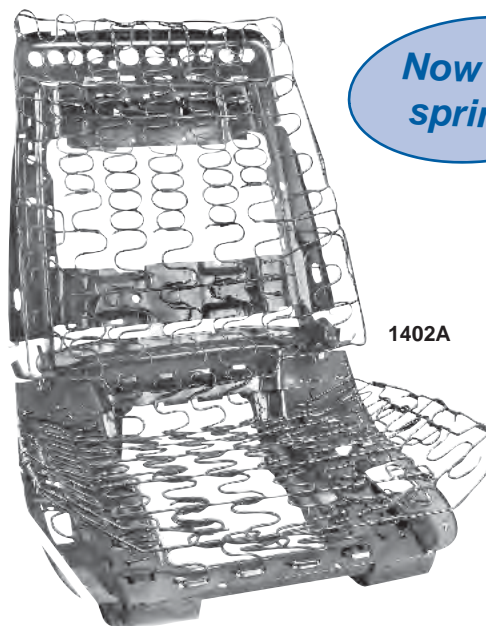


Seat Frame Assemblies

dii Exclusive



1401



1402A

Now with
springs!

1401	1966-68	Seat Frame Assembly with Springs, RH	\$357.75 ea
1402	1966-68	Seat Frame Assembly with Springs, LH	\$357.75 ea
1402A	1969	Seat Frame Assembly with Springs, Fits RH or LH	\$357.75 ea

Quarter Panels



1731

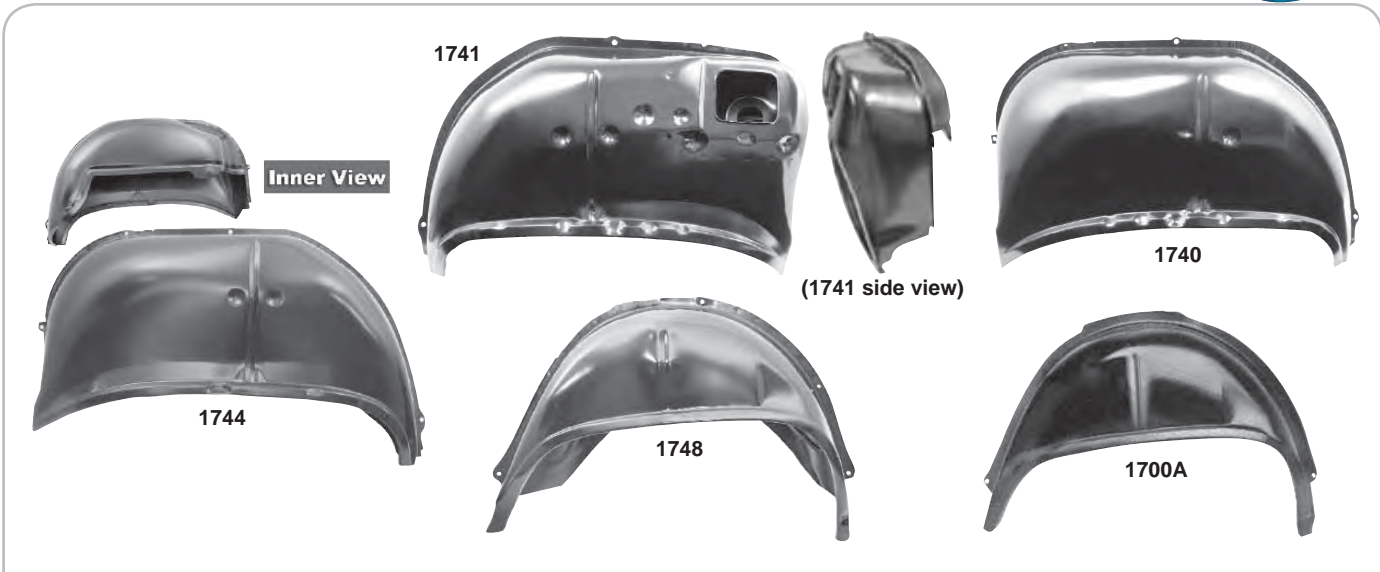


1733

1730	1963	Quarter Panel, RH	\$403.50 ea
1731	1963	Quarter Panel, LH	\$403.50 ea
1732	1964	Quarter Panel, RH	\$403.50 ea
1733	1964	Quarter Panel, LH	\$403.50 ea



Wheelhouses



1744	1963	Complete Wheelhouse (Inner/Outer), RH Coupe	\$218.75 ea
1745	1963	Complete Wheelhouse (Inner/Outer), LH Coupe	\$228.25 ea
1740	1964	Complete Wheelhouse (Inner/Outer), RH Coupe	\$218.75 ea
1741	1964	Complete Wheelhouse (Inner/Outer), LH Coupe	\$228.25 ea
1700A	1965-66	Outer Wheelhouse, RH	\$71.50 ea
1700B	1965-66	Outer Wheelhouse, LH	\$71.50 ea
1748	1965-66	Complete Wheelhouse (Inner/Outer), RH	\$218.75 ea
1749	1965-66	Complete Wheelhouse (Inner/Outer), LH	\$218.75 ea

Wheelhouse Braces

1742

1743

1742	1961-64	Rear Wheelhouse Brace, RH
1743	1961-64	Rear Wheelhouse Brace, LH

\$35.25 ea

1746

1746B

1746	1963-64	Wheelhouse to Rocker Brace, RH
1747	1963-64	Wheelhouse to Rocker Brace, LH

\$15.00 ea

1746A	New	1963-64	Wheelhouse to Quarter Brace, RH
1746B	New	1963-64	Wheelhouse to Quarter Brace, LH

\$29.75 ea

Tail Light Mtng. Panels

1733L

1733R

1733R	1963	Tail Light Mounting Panel, RH
1733L	1963	Tail Light Mounting Panel, LH

\$59.50 ea

1734L

1734R

1734R	1964	Tail Light Mounting Panel, RH
1734L	1964	Tail Light Mounting Panel, LH

\$56.75 ea

Deck Lid Filler Panel



1771B 1964 Deck Lid Filler Panel
\$183.75 ea

Lic. Plate Brkt. Gas Filler Door



1738 1964 Gas Filler Door
\$44.75 ea



1700Z 1965 License Plate Bracket
\$44.75 ea

Gas Tanks



T29

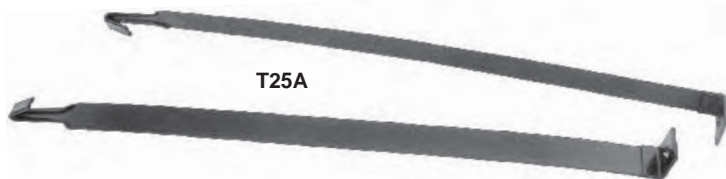


T25



T29 1961-64 Galvanized Gas Tank **\$120.25 ea**
T25 1965-67 Galvanized Gas Tank **\$120.25 ea**

Tank Straps/Braces

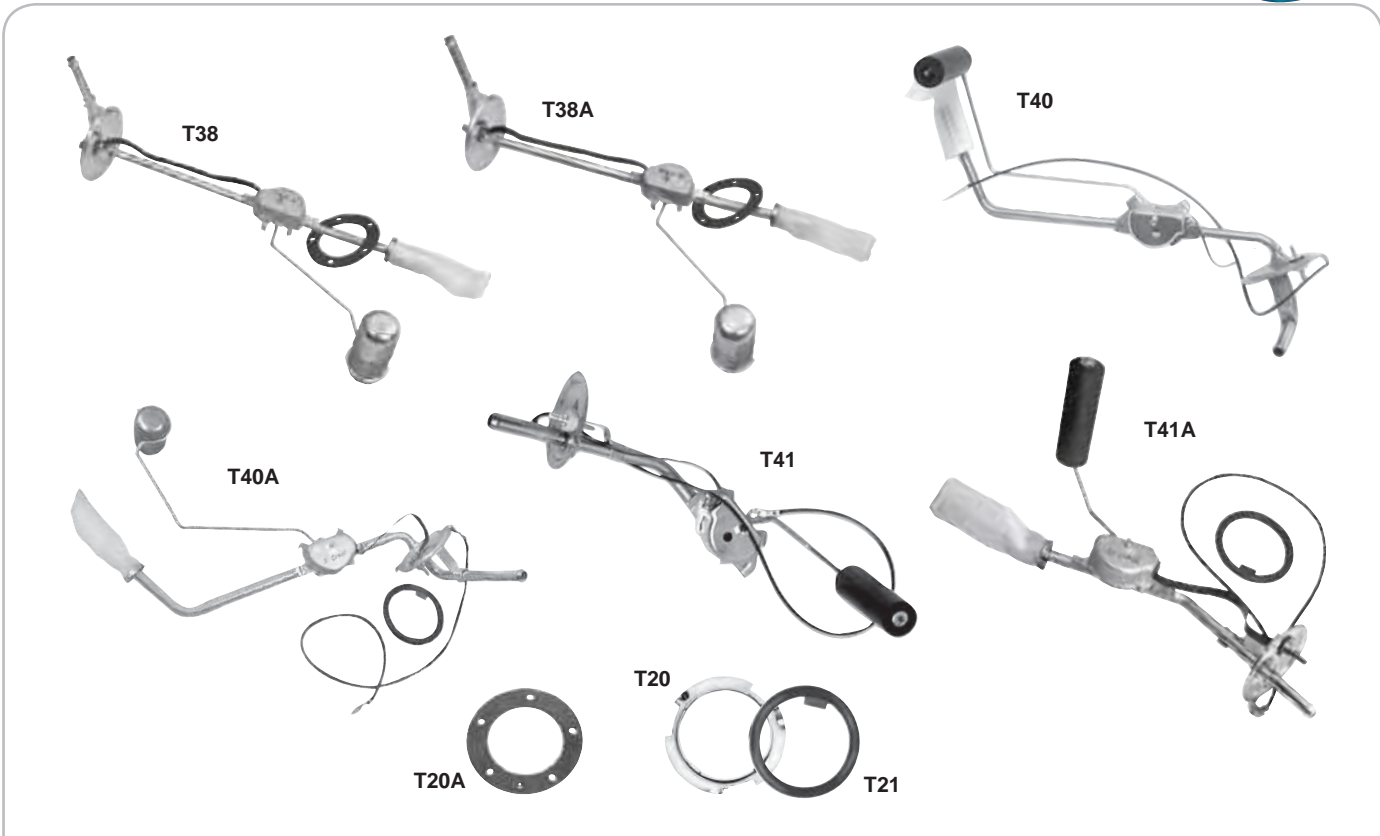


T25A

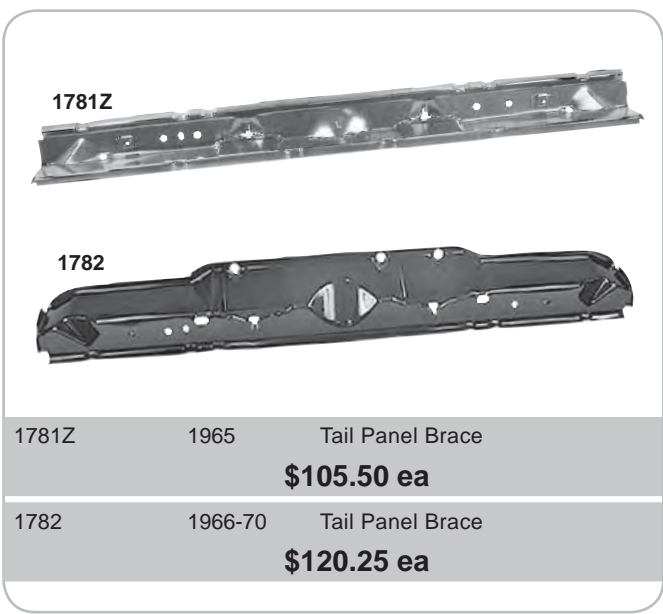


1767

T25A 1961-64 Gas Tank Straps w/o bolts, 2 piece **\$16.50 ea**
T25B 1965-70 Gas Tank Straps w/o bolts, 2 piece **\$16.50 ea**
1767 1965-70 Gas Tank Brace, Fits RH or LH **\$50.00 ea**

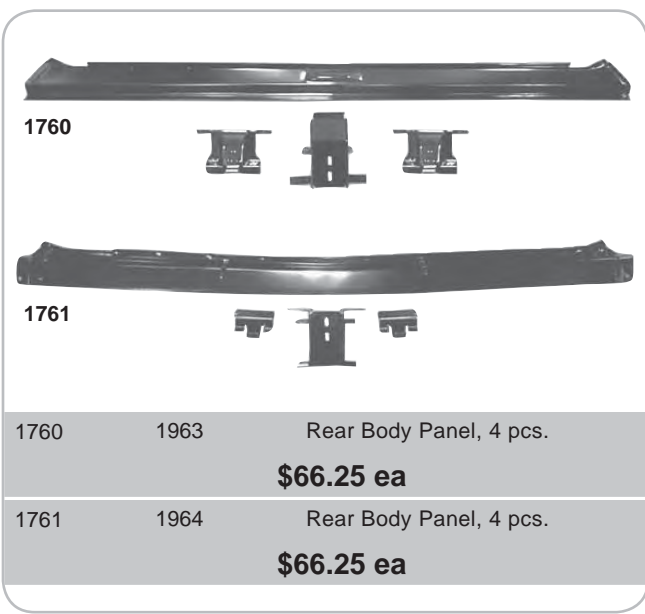


T38	1958-60	Fuel Sending Unit, 5/16"	\$33.75 ea
T38A	1958-60	Fuel Sending Unit, 3/8"	\$33.75 ea
T40	1961-64	Fuel Sending Unit, 5/16"	\$40.50 ea
T40A	1961-64	Fuel Sending Unit, 3/8"	\$35.25 ea
T41	1965-70	Fuel Sending Unit, 3/8" (Small Flange)	\$43.25 ea
T41A	1965-67	Fuel Sending Unit, 5/16"	\$35.25 ea
T20	1961-81	Fuel Sending Unit Locking Ring	\$2.50 ea
T20A	1958-60	Fuel Sending Unit Gasket	\$2.00 ea
T21	1961-81	Fuel Sending Unit Gasket	\$2.50 ea



Tail Panel Brace

1781Z	1965	Tail Panel Brace	\$105.50 ea
1782	1966-70	Tail Panel Brace	\$120.25 ea



Rear Body Panels

1760	1963	Rear Body Panel, 4 pcs.	\$66.25 ea
1761	1964	Rear Body Panel, 4 pcs.	\$66.25 ea



Trunk Lids



1770



1771



1771A



1770	1963	Trunk Lid, Impala	\$413.25 ea
1771	1964	Trunk Lid, Impala (4 lamp holes)	\$413.25 ea
1771A	1964	Trunk Lid, Biscayne & Bel Air (2 lamp holes)	\$413.25 ea

Trunk Lid Latch



1772	1959-72	Trunk Lid Latch	\$29.75 ea
------	---------	-----------------	------------

Cross Rail

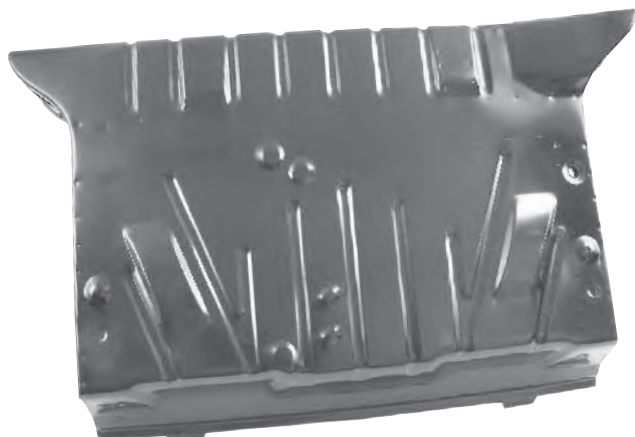


1769	1961-64	Trunk Cross Rail Panel Excludes Wagon	\$60.75 ea
------	---------	---------------------------------------	------------

Divider Panel



1781A	1965-70	Trunk Divider Panel	\$66.25 ea
-------	---------	---------------------	------------



1781B 1961-64 Trunk Shelf Panel
\$403.75 ea

Trunk Shelf Panel



1764	1965-70	Trunk Floor Pan, RH	\$59.50 ea
1762	1965-70	Trunk Floor Pan, Center	\$48.75 ea
1765	1965-70	Trunk Floor Pan, LH	\$59.50 ea

Trunk Floor Panels

1700H



1700H	1961-64	Trunk Lower Pan 2/4 door	\$93.25 ea
1700HA	1963-64	Trunk Floor Outer Panel	\$79.75 ea
1700HB	1963	Trunk Floor w/Pan & Drop Offs	\$403.75 ea

Trunk Floor Pans

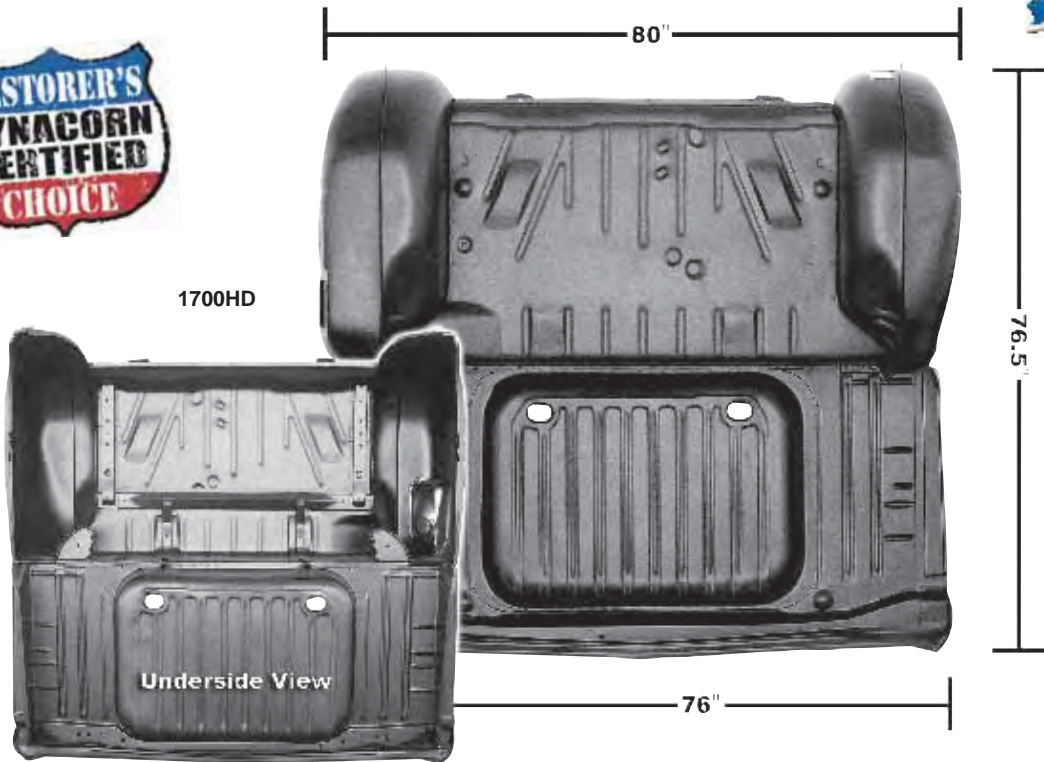




1700HC New 1964 Trunk Floor w/Pan & Drop Offs \$403.75 ea

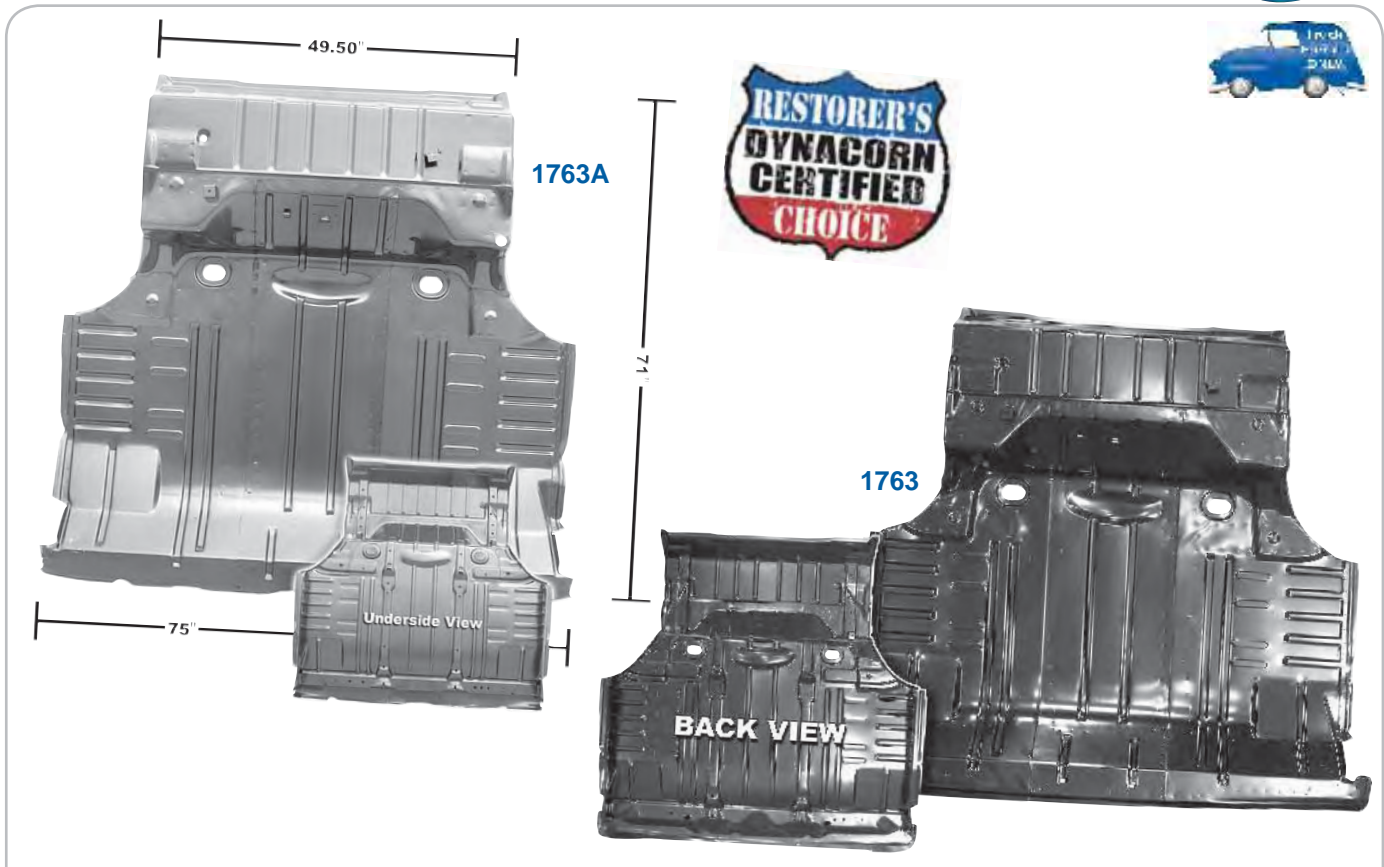


1700HD



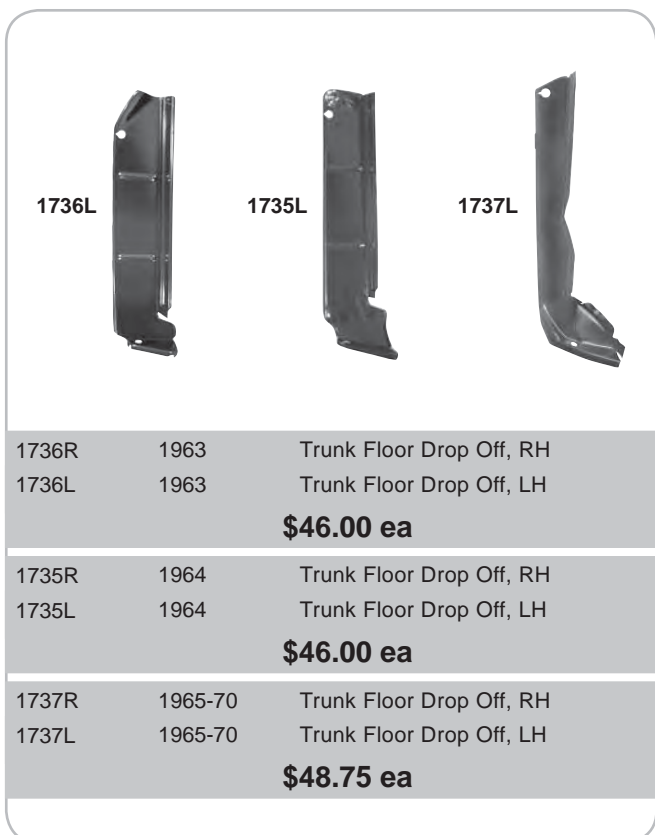
Does Not Qualify For Free Freight Program

1700HD 1963 Trunk Floor Pan w/ Shelf Panel and Wheelhouses \$1,500.00 ea



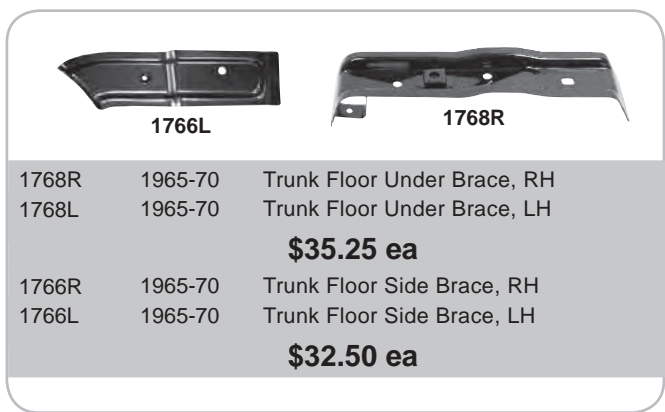
Trunk Floor

1763A	New	1965	Trunk Floor/divider panel with tank mounts, braces & drop offs	\$1,025.00 ea
1763	New	1966	Trunk Floor/divider panel with tank mounts, braces & drop offs	\$1,025.00 ea



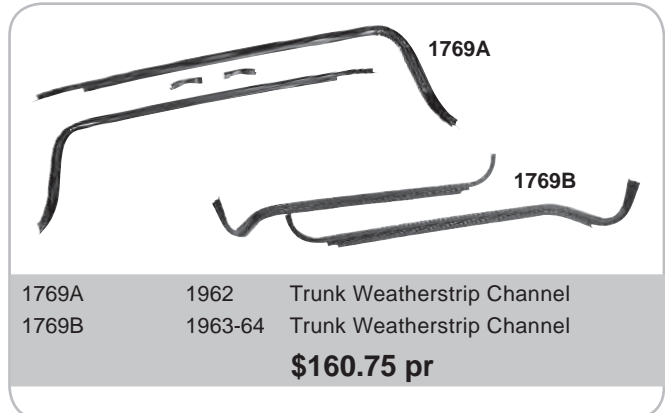
Trunk Floor Drop Offs

1736R	1963	Trunk Floor Drop Off, RH	\$46.00 ea
1736L	1963	Trunk Floor Drop Off, LH	
1735R	1964	Trunk Floor Drop Off, RH	\$46.00 ea
1735L	1964	Trunk Floor Drop Off, LH	
1737R	1965-70	Trunk Floor Drop Off, RH	\$48.75 ea
1737L	1965-70	Trunk Floor Drop Off, LH	



Under Braces

1768R	1965-70	Trunk Floor Under Brace, RH
1768L	1965-70	Trunk Floor Under Brace, LH
\$35.25 ea		
1766R	1965-70	Trunk Floor Side Brace, RH
1766L	1965-70	Trunk Floor Side Brace, LH
\$32.50 ea		

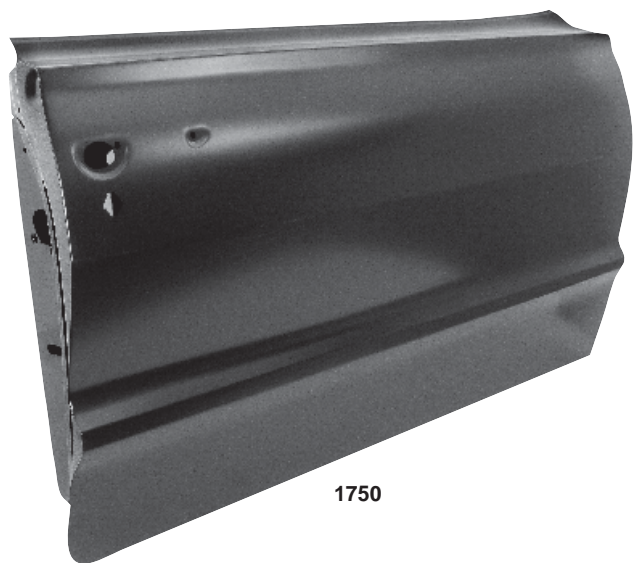


Weatherstrip Channel

1769A	1962	Trunk Weatherstrip Channel
1769B	1963-64	Trunk Weatherstrip Channel
\$160.75 pr		



Door Shells



1750



1751A



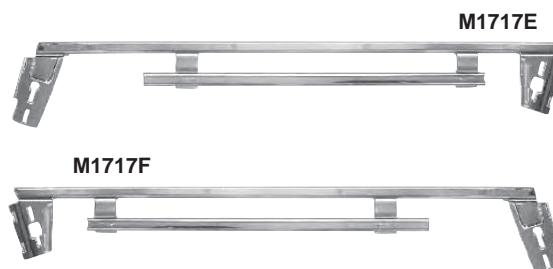
1750	1963	Door Shell, RH	\$445.00 ea
1751	1963	Door Shell, LH	\$445.00 ea
1751A	1964	Door Shell, RH	\$445.00 ea
1751B	1964	Door Shell, LH	\$445.00 ea

Door Glass Assemblies



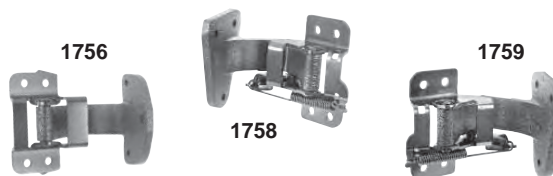
1751G	New	1962-64	Door Glass Assembly, RH
1751H	New	1962-64	Door Glass Assembly, LH
\$376.75 ea			

Door Window Frames



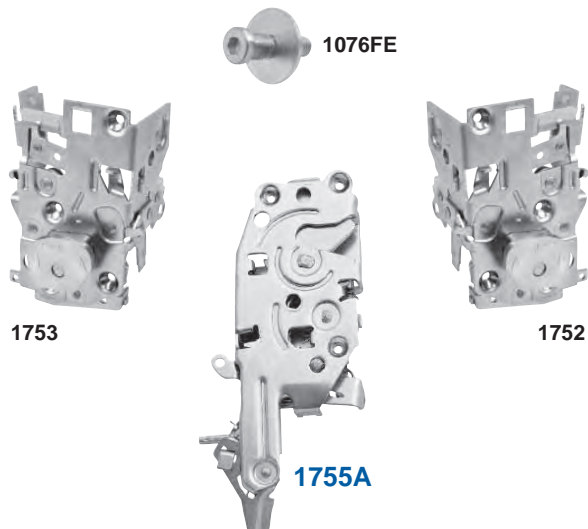
M1717E	1961-64	Door Window Lower Frame, RH
M1717F	1961-64	Door Window Lower Frame, LH
\$52.75 ea		

Door Hinges



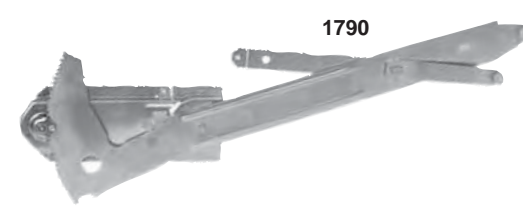
1756	1962-64	Upper Door Hinge, RH or LH
\$79.75 ea		
1758	1962-64	Lower Door Hinge, RH
1759	1962-64	Lower Door Hinge, LH
\$93.25 ea		

Door Latches & Striker




1752	1963	Door Latch, RH	\$78.50 ea
1753	1963	Door Latch, LH	\$78.50 ea
1754	New 1964	Door Latch, RH	\$78.50 ea
1755	New 1964	Door Latch, LH	\$78.50 ea
1076FE	1964-70	Door Lock Striker	\$12.25 ea
1755A	New 1965-66	Door Latch, RH	\$67.50 ea
1755B	New 1965-66	Door Latch, LH	\$67.50 ea

Window Regulators



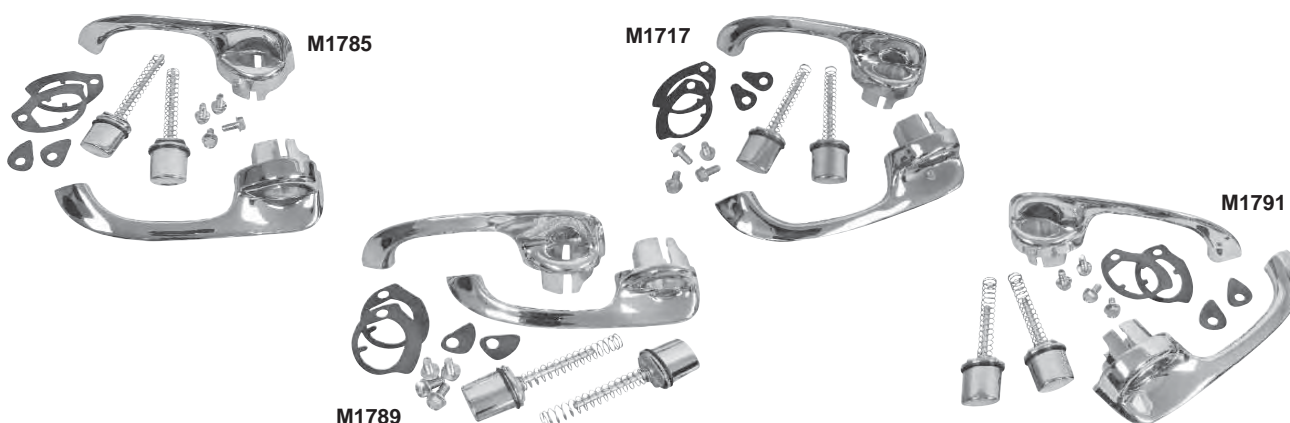
1790	1961-64	Window Regulator, RH	\$70.25 ea
1791	1961-64	Window Regulator, LH	

Vent Window Actuator



1751C	New	1962-64	Vent Window Actuator, RH	\$66.25 ea
1751D	New	1962-64	Vent Window Actuator, LH	
1751E	New	1965	Vent Window Actuator, RH	\$66.25 ea
1751F	New	1965	Vent Window Actuator, LH	

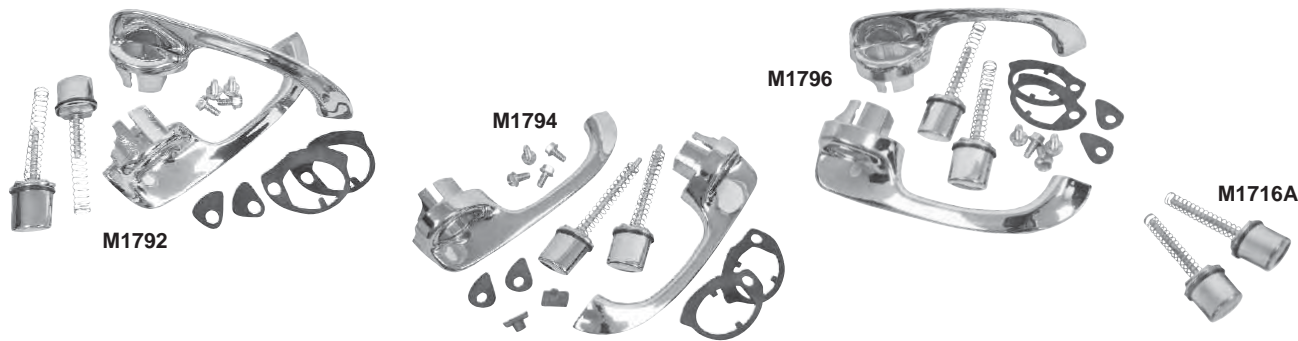
Exterior Door Handles



M1785	1960	Exterior Door Handles, For 2 door	\$43.25 pr
M1786	1960	Exterior Front Door Handles, For 4 door	\$43.25 pr
M1787	1960	Exterior Rear Door Handles, For 4 door	\$43.25 pr
M1716	1961-62	Exterior Front Door Handles, For 2/4 door	\$43.25 pr
M1789	1961-62	Exterior Rear Door Handles, For 4 door	\$43.25 pr
M1717	1963-64	Exterior Front Door Handles, For 2/4 door	\$43.25 pr
M1791	1963-64	Exterior Rear Door Handles, For 4 door	\$43.25 pr



Exterior Door Handles, cont'd.



M1792	1965-68	Exterior Door Handles, For 2 door	\$43.25 pr
M1793	1965-68	Exterior Front Door Handles, For 4 door	\$43.25 pr
M1794	1965-68	Exterior Rear Door Handles, For 4 door	\$43.25 pr
M1795	1969-70	Exterior Door Handles, For 2 door	\$43.25 pr
M1796	1969-70	Exterior Front Door Handles, For 4 door	\$43.25 pr
M1797	1969-70	Exterior Rear Door Handles, For 4 door	\$43.25 pr
M1716A	1961-62	Door Handle Push Button Kit	\$6.75 pr
M1717A	1963-64	Door Handle Push Button Kit	\$6.75 pr

Interior Door Handles



M1605 1958-64 Interior Door Handle, Single Arm
\$11.00 ea

M1037G 1959-67 Interior Door Handles
\$24.50 pr



M1037D 1968-70 Interior Standard Door Handle, RH
 M1037E 1968-70 Interior Standard Door Handle, LH
\$15.00 ea

Vent Window Cranks



M1392H 1958-64 Single Arm Vent Window Crank, Chrome Knob
 M1392G 1958-60 Single Arm Vent Window Crank, Black Knob

\$9.50 ea

M1392F 1959-64 Double Arm Vent Window Crank, Chrome Knob
 M1392E 1961-64 Double Arm Vent Window Crank, Black Knob

\$9.50 ea

M1392M 1965-66 Vent Window Crank, Chrome Knob
 M1392L 1965-66 Vent Window Crank, Biscayne, Black Knob
 M1392N 1967 Vent Window Crank, Black Knob

\$11.00 ea



Window Cranks

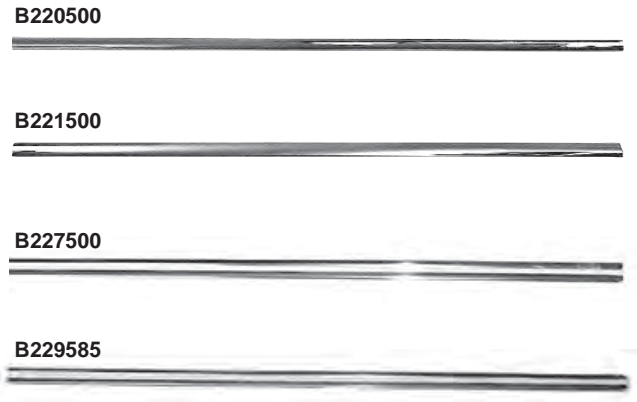


M1392C	1958-64	Single Arm Window Crank, Charcoal Knob	\$9.50 ea
M1392D	1958-64	Single Arm Window Crank, Chrome Knob	\$9.50 ea
M1392B	1961-64	Double Arm Window Crank, Chrome Knob	\$9.50 ea
M1392A	1961-64	Double Arm Window Crank, Black Knob	\$9.50 ea
M1776	1965-66	Window Crank, Biscayne Black knob	\$17.75 ea



M1382	1965-66	Window Crank, Chrome Knob	\$17.75 ea
M1382A	1967	Window Crank, Black Knob	\$17.75 ea
M1037A	1968	Window Crank, Black Knob	\$3.75 ea
M1037B	1969-70	Window Crank, Clear Knob	\$3.75 ea

Door Molding



B221000	1961	Upper Door Molding, RH	\$23.00 ea
B220500	1961	Upper Door Molding, LH	\$23.00 ea
B221500	1961	Lower Door Molding, RH/LH	\$23.00 ea
B227500	1964	Upper Door Mldg, RH/LH	2 Door \$36.50 ea
B229580	1964	Upper Front Door Mldg, RH/LH	4 Door \$29.75 ea
B229585	1964	Upper Rear Door Mldg, RH/LH	4 Door \$29.75 ea
B231635	1966	Door Mldg, RH/LH	2 Door \$48.75 ea

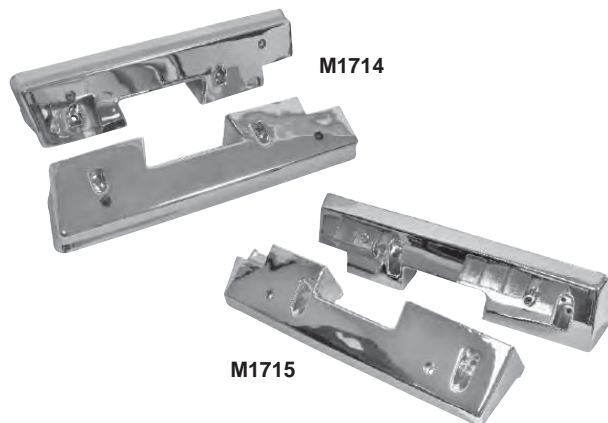
Door Lock Knobs



M1770	1961-66	Door Lock Knobs, Black	\$2.75 pr
M1771	1961-66	Door Lock Knobs, Chrome	\$2.75 pr
M1772	1967	Door Lock Knobs, Black	\$2.75 pr
M1773	1967	Door Lock Knobs, Chrome	\$2.75 pr
M1777	1968	Door Lock Knobs, Black	\$2.75 pr



Arm Rest Bases



M1714	1962-64	Arm Rest Bases, Chrome
M1715	1965-67	Arm Rest Bases, Chrome

\$35.25 pr

Window Seals



M1727B	1961-62	Vent Window Seals, 4 pcs.	For 2 Door
M1727C	1963-64	Vent Window Seals, 4 pcs.	For 2 Door

\$51.50 set

Window Stoppers



M1727A	1961-64	Quarter Window Stoppers 2 door, Convertible
M1727D	1961-62	Vent Window Stoppers, Convertible
M1727E	1963-64	Vent Window Stoppers, Hard Top
M1727F	1963-64	Vent Window Stoppers, Convertible

\$16.25 pr

\$19.00 pr

Emblems



EM1700	New	1962	Quarter Panel Emblems
EM1701	New	1962	Quarter Panel Emblems, "SS"

Coming Soon!

EM1702	New	1963	Quarter Panel Emblems
EM1703	New	1963	Quarter Panel Emblems, "SS"

Coming Soon!

EM1704	New	1964	Quarter Panel Emblems
EM1705	New	1964	Quarter Panel Emblems, "SS"

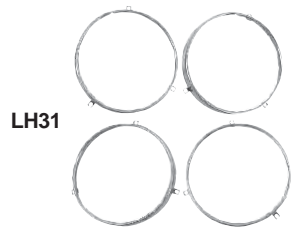
Coming Soon!

U-Jamb Seals

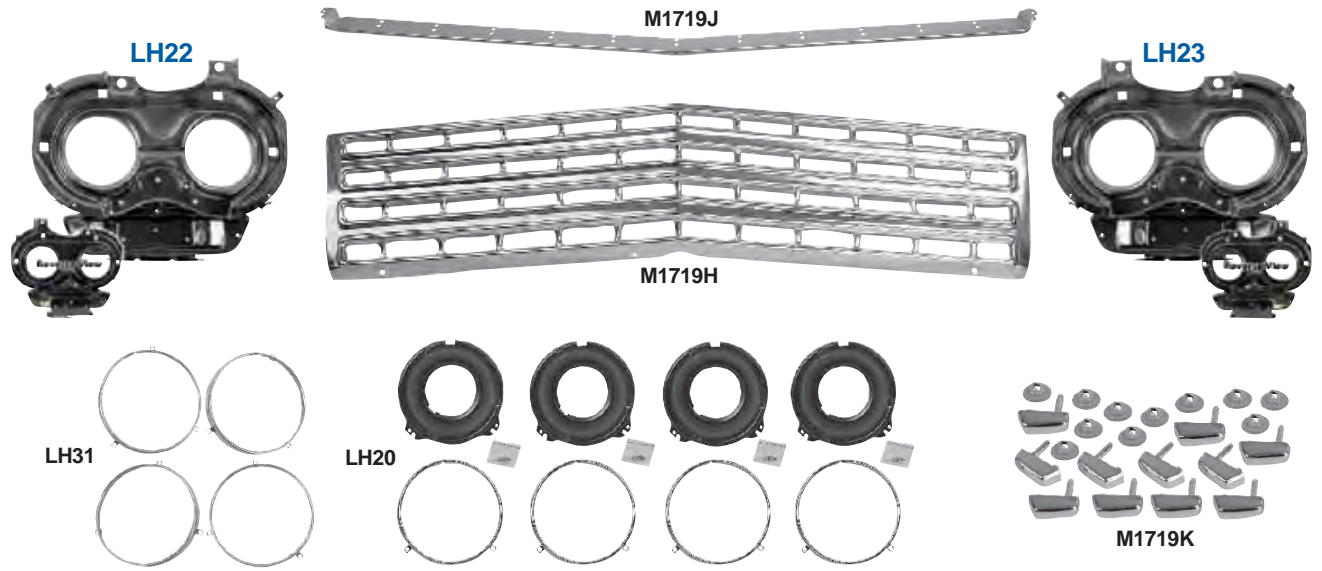


M1727	1961-64	U-Jamb Rubber Seals, Coupe
-------	---------	----------------------------

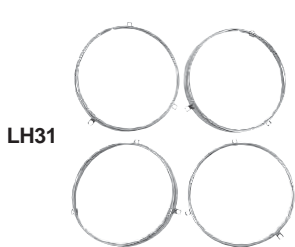
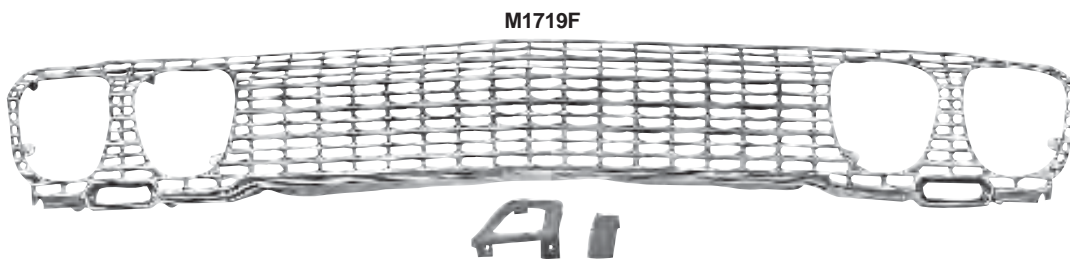
\$16.25 pr



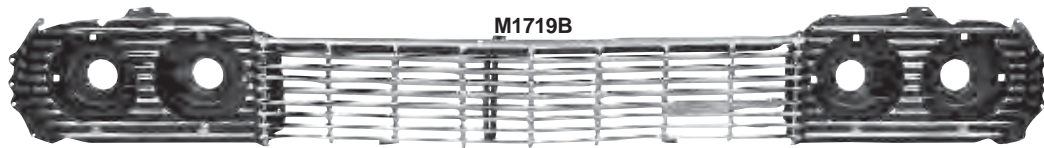
M1718E	1958	Headlamp Bezels	\$94.50 pr
M1718F	1959	Headlamp Bezels	\$94.50 pr
LH20	1958-66	Headlamp Mounting Bucket Set, 8 pcs.	\$83.75 set
LH31	1958-66	Headlamp Retaining Rings, 4 pcs.	\$19.00 set



M1719H		1962	Grille	\$283.50 ea
M1719HC	New	1962	Complete Grille	Coming Soon!
M1719J		1962	Top Grille Molding	\$51.50 ea
M1719K		1962	Top Grille Molding Fasteners, 11 pcs.	\$23.00 kit
LH20		1958-66	Headlamp Mounting Bucket Set, 8 pcs.	\$83.75 set
LH31		1958-66	Headlamp Retaining Rings, 4 pcs.	\$19.00 set
M1719M	New	1962	Headlamp Bezel, RH	Coming Soon!
M1719N	New	1962	Headlamp Bezel, LH	Coming Soon!
LH22		1962	Headlamp Bucket, RH	\$120.25 ea
LH23		1962	Headlamp Bucket, LH	\$120.25 ea



M1719F	1963	Grille	\$276.75 ea
M1719FC	1963	Complete Grille W/Brackets,Headlamp Housings	\$465.75 set
M1718B	1963	Headlamp Bezels, 4 pcs./set	\$106.75 set
M1724A	1963	Upper Eyebrow Moldings	\$48.75 pr
LH20	1958-66	Headlamp Mounting Bucket Set, 8 pcs.	\$83.75 set
LH3 1	1958-66	Headlamp Retaining Rings, 4 pcs.	\$19.00 set



M1719B



M1724W



M1724B



M1718



M1724B



LH31



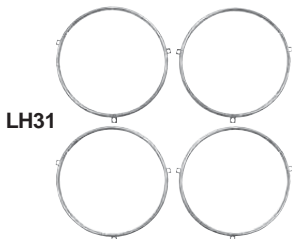
M1719B	1964	Grille W/Brackets & Headlamp Housings	\$376.75 set
M1724W	1964	Lower Grille Molding	\$52.75 ea
M1718	1964	Headlamp Bezels, 4 pcs./set	\$52.75 set
M1724B	1964	Eyebrow Moldings	\$79.75 pr
LH20	1958-66	Headlamp Mounting Bucket Set, 8 pcs.	\$83.75 set
LH31	1958-66	Headlamp Retaining Rings, 4 pcs.	\$19.00 set



M1718C



M1719C

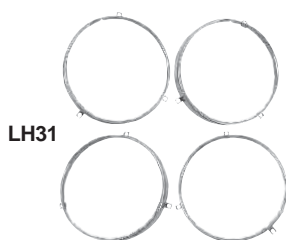


LH31



LH20

M1719C	1965	Grille	\$417.25 ea
M1718C	1965	Headlamp Bezels, 4 pcs./set	\$131.00 set
LH20	1958-66	Headlamp Mounting Bucket Set, 8 pcs.	\$83.75 set
LH31	1958-66	Headlamp Retaining Rings, 4 pcs.	\$19.00 set



M1719G	1966	Lower Grille, 3 pcs.	\$171.50 set
M1724H	1966	Headlamp Bezels	\$104.00 pr
M1724C	1966	Eyebrow Moldings	\$40.50 pr
LH20	1958-66	Headlamp Mounting Bucket Set, 8 pcs.	\$83.75 set
LH31	1958-66	Headlamp Retaining Rings, 4 pcs.	\$19.00 set



M1718D	1967	Headlamp Bezels	\$129.75 pr
--------	------	-----------------	-------------



M1719D	1968	Upper Grille	\$349.75 ea
M1719E	1968	Lower Grille	\$349.75 ea



Wiper Arms

K119

K118

K119	1963-64	Wiper Arms	\$47.25 pr
K118	1966-67	Wiper Arms	\$47.25 pr

Hood Moldings

M1725A

1962

Hood Molding

\$155.25 ea

Hood Spears

M1724D

M1724F

M1724D	1964	Hood Spear	\$109.50 ea
M1724E	1965	Hood Spear	\$185.00 ea
M1724F	1966	Hood Spear	\$185.00 ea

Hood Moldings

M1725B

1963

Hood Molding

\$187.75 ea

Hood Moldings

M1725C

1964

Hood Molding

\$241.75 ea

Wheel Opening Moldings

M1729

M1730

M1729	1965	Wheel Opening Molding Set, 4 pcs	\$133.75 set
M1730	1966	Wheel Opening Molding Set, 4 pcs	\$133.75 set

Wheel Opening Moldings

M1731

M1732

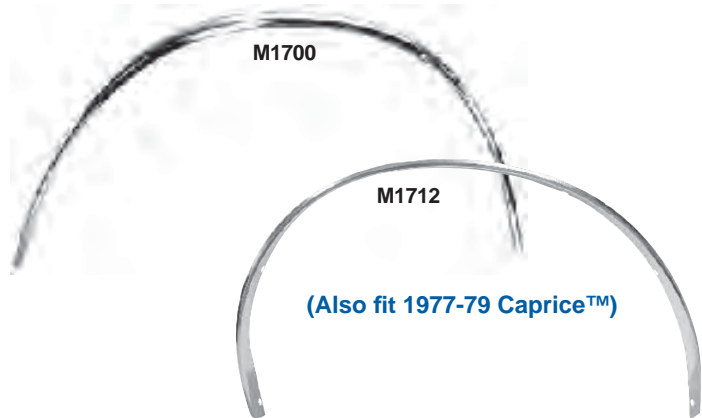
M1733A

M1733

M1731	1967	Wheel Opening Molding Set, 4 pcs	\$133.75 set
M1732	1968	Wheel Opening Molding Set, 4 pcs	\$133.75 set
M1733A	New 1969	Wheel Opening Molding Set, 4 pcs	\$133.75 set
M1733	1970	Wheel Opening Molding Set, 4 pcs	\$133.75 set



Wheel Opening Moldings, cont'd



M1700	1977-79	Front Wheel Opening Molding, RH
M1701	1977-79	Front Wheel Opening Molding, LH

\$24.50 ea

M1702	1977-79	Rear Wheel Opening Molding, RH
M1703	1977-79	Rear Wheel Opening Molding, LH

\$24.50 ea

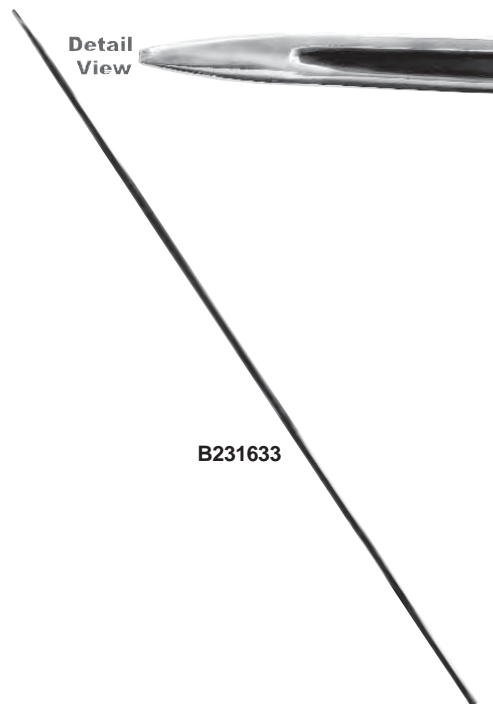
M1710	1980-90	Front Wheel Opening Molding, RH
M1711	1980-90	Front Wheel Opening Molding, LH

\$20.25 ea

M1712	1980-90	Rear Wheel Opening Molding, RH
M1713	1980-90	Rear Wheel Opening Molding, LH

\$20.25 ea

Front Fender Molding



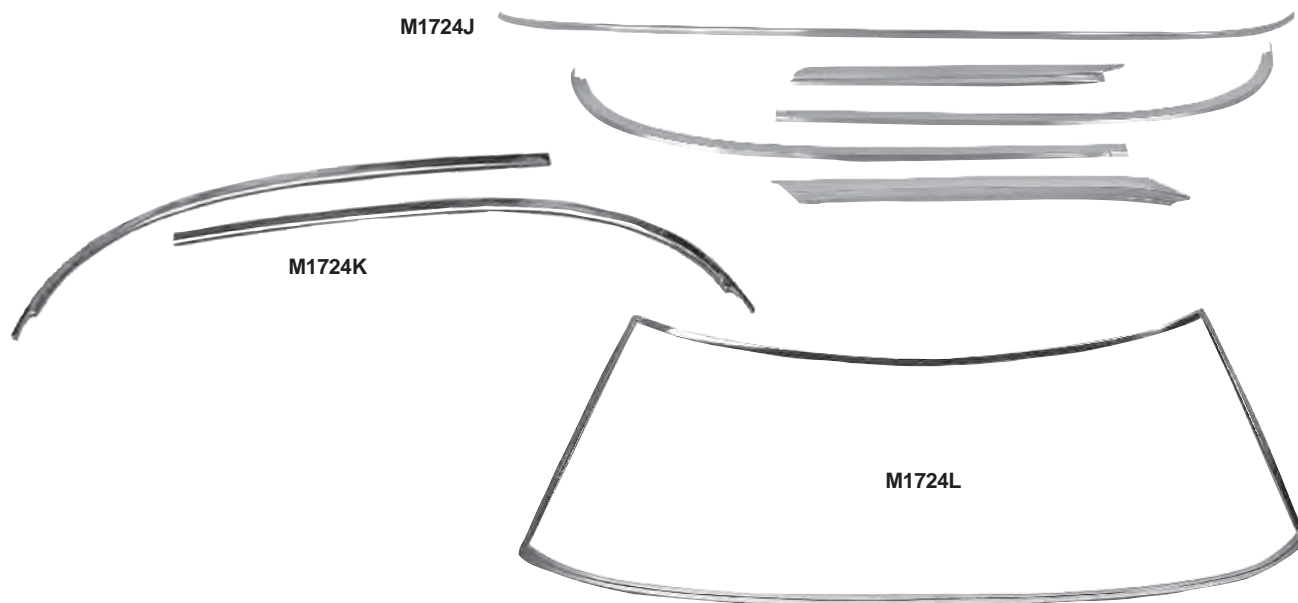
M1706	1963	Fender Molding, 4 pieces
-------	------	--------------------------

\$106.75 ea

B231633	1966	Front Fender Molding, RH/LH
---------	------	-----------------------------

\$48.75 ea

Windshield Moldings



M1724K	1962-64	Windshield Moldings, 2 pc. set	Biscayne	\$56.75 set
M1724J	1963-64	Windshield Moldings, 5 pc. set		\$155.25 set
M1724L	1965-67	Windshield Moldings, 5 pc. set		\$144.50 set



Exterior Mirrors



M1036A	1959-60	Exterior Mirror	\$38.00 ea
M1036B	1961-62	Exterior Mirror	\$38.00 ea
M1035	1963-64	Exterior Mirror with "bowtie"	\$21.75 ea
M1036C	1965-66	Exterior Mirror, RH	\$40.50 ea
M1036D	1965-66	Exterior Mirror, LH	\$40.50 ea
3921816	1968	Remote Mirror, LH	\$105.50 ea

Scuff Plates

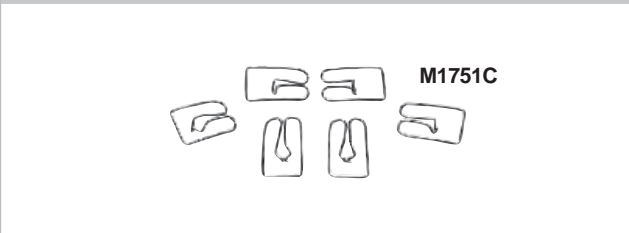


M1734	1961-64	Scuff Plate, RH	\$23.00 ea
M1735	1961-64	Scuff Plate, LH	
M1736	1965-70	Scuff Plate, RH	\$23.00 ea
M1737	1965-70	Scuff Plate, LH	

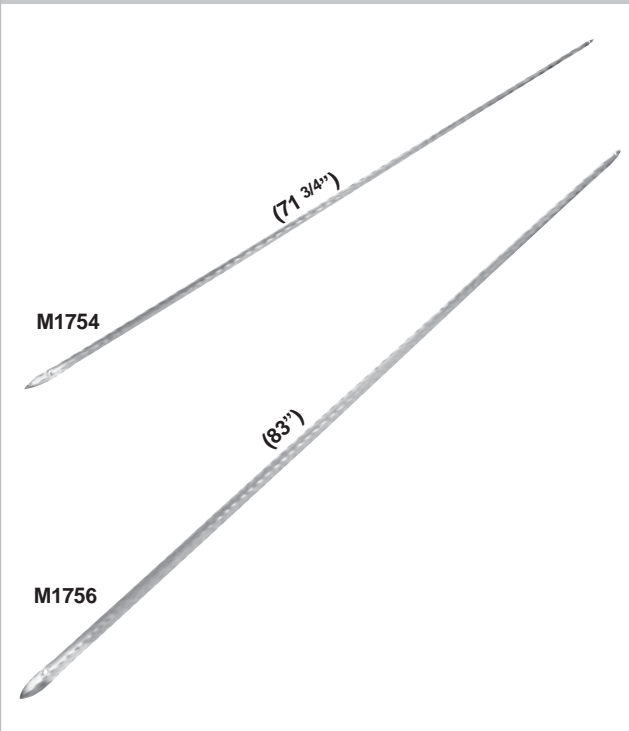
Rocker Panel Moldings



M1750	1961-64	Rocker Panel Mldg w/clips, RH	Standard	\$52.75 ea
M1751	1961-64	Rocker Panel Mldg w/clips, LH	Standard	\$52.75 ea



M1751C	1962-64	Rocker Panel Mldg Clips, 6 pcs/set		\$15.00 set
--------	---------	------------------------------------	--	--------------------



M1754	1965-66	Rocker Panel Molding, For "SS"		\$75.75 pr
M1756	1968-69	Rocker Panel Molding, For "SS"		\$75.75 pr



Quarter Panel Molding

B222000



B223500



B222500 1961 Upper Quarter Panel Molding, RH 2 Door

\$36.50 ea

B222000 1961 Upper Quarter Panel Molding, LH 2 Door

\$36.50 ea

B223500 1961 Lower Quarter Panel Molding, RH 2 Door

\$48.75 ea

B223000 1961 Lower Quarter Panel Molding, LH 2 Door

\$48.75 ea

B223513



B223600

B223511 1961 Upper Quarter Panel Molding, RH 4 Door

\$32.50 ea

B223510 1961 Upper Quarter Panel Molding, LH 4 Door

\$32.50 ea

B223513 1961 Lower Quarter Panel Molding, RH 4 Door

\$46.00 ea

B223512 1961 Lower Quarter Panel Molding, LH 4 Door

\$46.00 ea

B223600 1961 Rear Wrap-Around Moldings

\$50.00 pr

B229500 1964 Upper Quarter Panel Molding, RH/LH 2 Door

\$43.25 ea

B229590 1964 Upper Qtr Panel Molding, RH/LH 4 Door

\$47.25 ea

B231640



B231650



B231640 1966 Rear Quarter Panel Molding, RH/LH 2 Door

\$49.00 ea

B231650 1966 Rear Wrap-Around Moldings, RH/LH

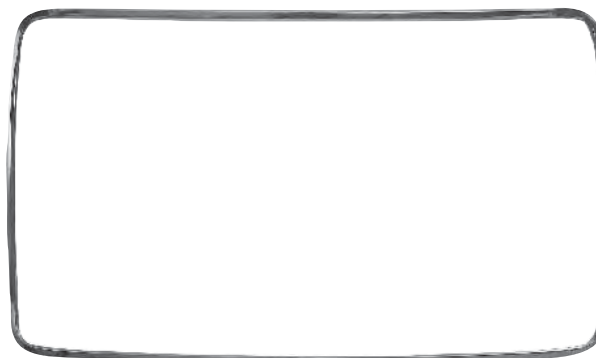
\$49.00 pr

Rear Windshield Molding



M1724N 1962-64 Rear Window Moldings, 5 pieces

\$155.25 set



M1724M 1965-66 Rear Window Moldings, 5 pieces

\$141.75 set

Trunk Spear




M1724G 1964 Trunk Spear with clips

\$74.25 ea




Drip Rail Mldg.



M1738	1962-64	Drip Rail Moldings	\$98.75 pr
-------	---------	--------------------	------------

Trunk Molding




B223650	1961	Trunk Moldings	\$79.75 pr
B223900	1962	Upper Trunk Molding	\$48.75 ea
B223950	1962	Tail Lamp Cove Moldings	\$58.25 pr
B226000	1963	Lower Trunk Molding w/clips	\$52.75 ea



B230000	1964	Upper Trunk Molding, Belair/SS	\$52.75 ea
B231000	1964	Lower Trunk Molding, Belair/SS	\$52.75 ea
B230500	1964	Outer Cove Moldings, Belair/SS	\$52.75 pr
B231500	1964	Inner Cove Moldings, Belair/SS	\$52.75 pr

Trunk Lid Molding



M1725P	1963	Upper Trunk Lid Molding	\$160.75 ea
M1724X	1964	Standard Rear Panel Molding w/clips	\$93.25 ea
M1724Y	1964	Quarter Extension Molding w/clips, RH	\$27.00 ea
M1724Z	1964	Quarter Extension Molding w/clips, LH	\$27.00 ea
B231660	1966	Trunk Lid Molding	\$101.25 ea

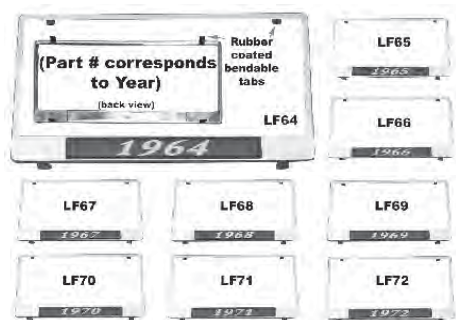


License Panels



B244500	1962	Front License Panel	\$66.25 ea
B245000	1962	Rear License Panel	\$66.25 ea
B245500	1963	Front License Panel	\$56.75 ea
B246000	1963	Rear License Panel	\$56.75 ea
B246500	1964	Front License Panel	\$60.75 ea
B247000	1964	Rear License Panel	\$60.75 ea
M1780	1962-64	License Panel Clips, 50 pc. set	\$27.00 set

License Frames



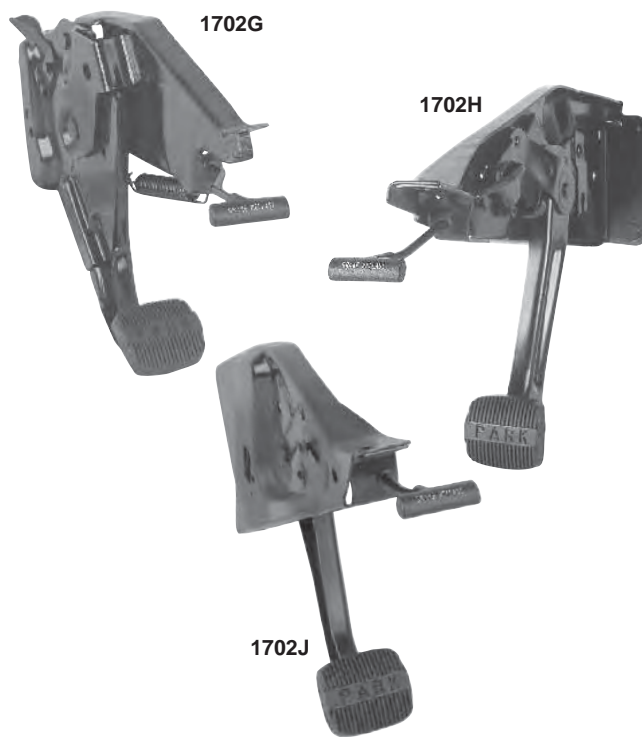
LF64 thru LF72 1964-72 License Plate Frame
\$11.00 ea

Shifter Lever




1498G New 1964-67 Shifter Lever w/Push Button, Automatic
\$93.25 ea

Parking Brake Assemblies



1702G	1963	Parking Brake Assembly	\$78.50 ea
1702M	New 1963	Parking Brake Cable Guide Pulley	Coming Soon!
1702H	1964	Parking Brake Assembly	\$78.50 ea
1702J	1965	Parking Brake Assembly	\$78.50 ea

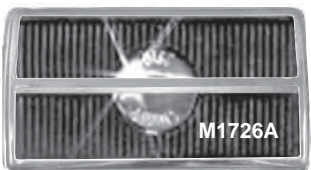

M1339	1963-70	Parking Brake Release Handle	\$6.75 ea
-------	---------	------------------------------	------------------

P. Brake Release Handle

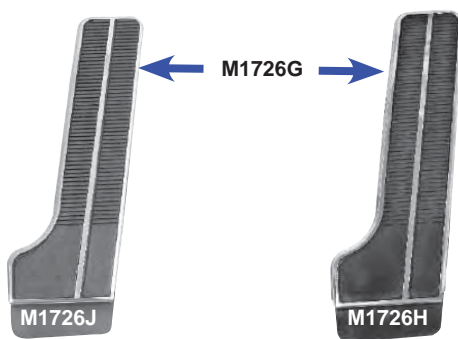


M1726E	1965-70	Parking Brake Pedal Pad	\$5.50 ea
M1726F	1965-70	Parking Brake Pedal Pad Trim	\$5.50 ea

Brake Pedal Pads & Trim

M1726A	1965-70	Disc Brake Pedal Pad, Auto. Transmission	\$9.50 ea
M1726B	1965-70	Disc Brake Pedal Pad Trim	\$6.75 ea
M1726C	1965-70	Brake Pedal Pad, Manual Transmission	\$6.75 ea
M1726D	1965-70	Brake Pedal Pad Trim Manual Transmission	\$6.75 ea



M1726J	1958-63	Accelerator Pedal Pad	\$13.50 ea
M1726G	1965	Accelerator Pedal Pad	\$9.50 ea
M1726H	1965	Accelerator Pedal Pad Trim	\$8.25 ea

Accelerator Pedal Pad & Trim



1708	1962-64	Clutch Countershaft (Z-bar)	\$20.25 ea
1708A	1965-70	Clutch Countershaft (Z-bar)	\$25.75 ea

Clutch Countershaft (Z-Bar)



1794	New	1963-64	Glovebox Door	\$105.50 ea
1794A	New	1963-64	Glovebox Door Hinge	Coming Soon!

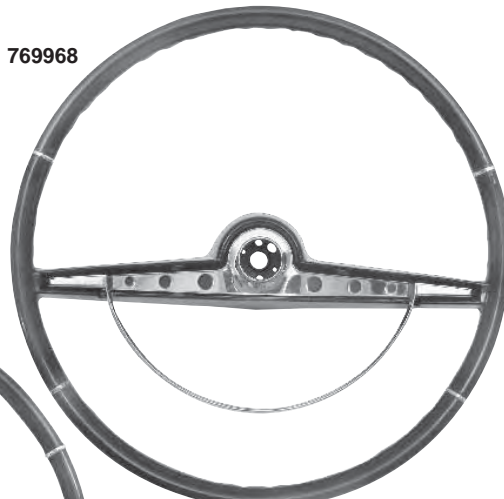
Glovebox Door



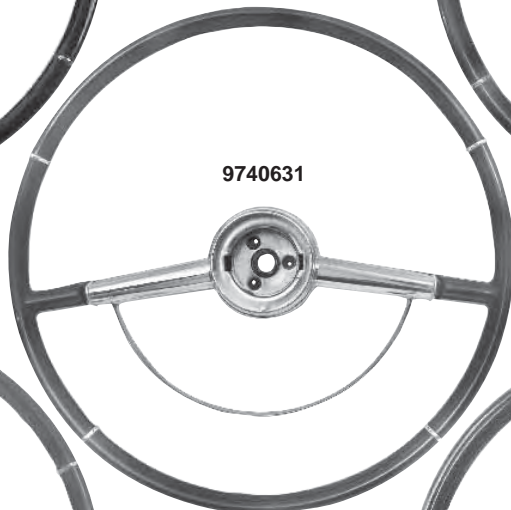
Steering Wheels



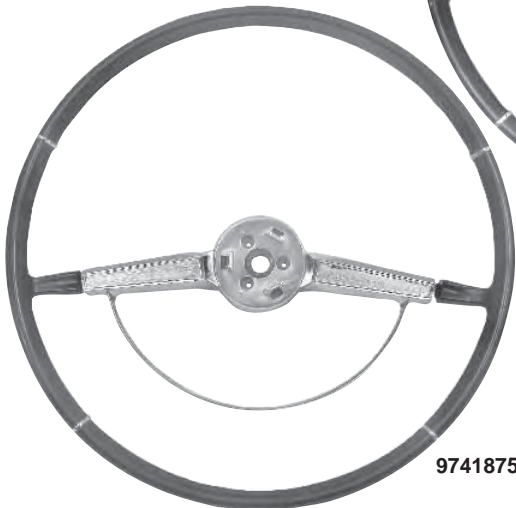
769868



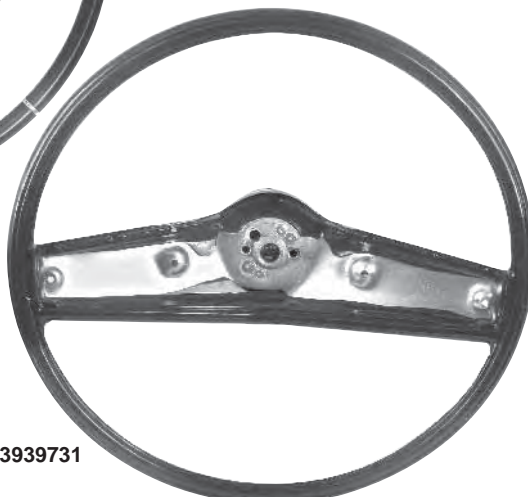
769968



9740631



9741875



3939731

769868	1962	Steering Wheel, Black	\$252.50 ea
769968	1963	Steering Wheel, Black	\$252.50 ea
9740631	1964	Steering Wheel, Black	\$252.50 ea
9741875	1965-66	Steering Wheel, Black	\$252.50 ea
3939731	1969-70	Steering Wheel, Black	\$185.00 ea

Horn Caps



3841275



3874620



3858429

3841275	1964	Horn Cap
3858429	1965	Horn Cap
3874620	1966	Horn Cap

\$44.50 ea

Decal



FL01

"Body by Fisher" Decal

\$1.50 ea



Interior Mirrors



1154D



1154C



916177



M1035C



911366

1154D	1957-62	Interior Mirror, Day/Night	\$47.25 ea
1154C	1958-62	Interior Mirror, Stainless	\$16.25 ea
916177	1963-64	Interior Mirror, 8 inch	\$32.50 ea
M1035C	1963-66	Interior Mirror, Standard	\$19.00 ea
911366	1965-72	Interior Mirror, 10 inch	\$32.50 ea



M1781



M1338

M1781	1959-63	Sun Visor Brackets w/screws	\$40.50 pr
M1338	1964-68	Sun Visor Bracket	\$15.00 ea

Visor Brackets

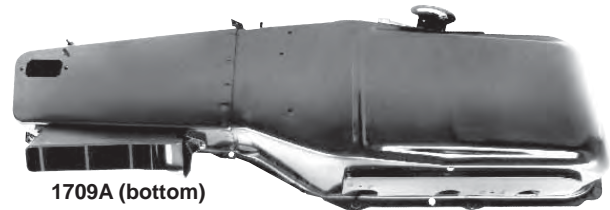


1709	1963-64	Metal Heater Box Assembly	\$31.25 ea
------	---------	---------------------------	-------------------

Heater Box Assembly



1709A (top)



1709A (bottom)

Heater Core Cases

1709A	1963	Heater Core Case	\$249.75 ea
1709B	New 1964	Heater Core Case	Call For Price
1709C	New 1963-64	Heater Core Case Vent	Call For Price



Fresh Air Vent Assemblies



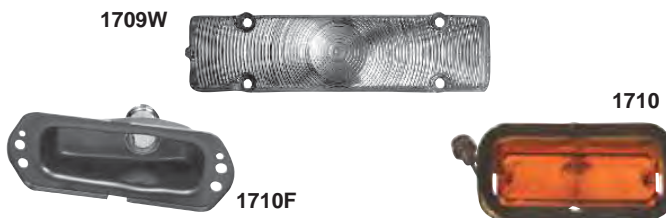
1717R	1963	Fresh Air Vent Assembly, RH Chrome Knob	\$75.75 ea
1717L	1963	Fresh Air Vent Assembly, LH Chrome Knob	\$75.75 ea
1716R	1964	Fresh Air Vent Assembly, RH Std Knob	\$75.75 ea
1716L	1964	Fresh Air Vent Assembly, LH Std Knob	\$75.75 ea
1716CR	1964	Fresh Air Vent Assembly, RH Deluxe Chrome Knob	\$75.75 ea
1716CL	1964	Fresh Air Vent Assembly, LH Deluxe Chrome Knob	\$75.75 ea

A/C Vent Ball



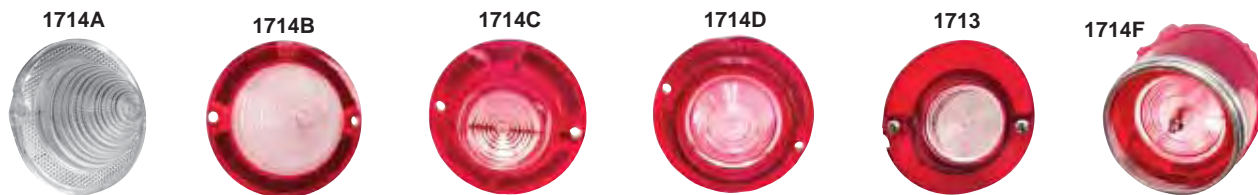
3856472 1965-68 A/C Vent Ball
(*67 w/ A/C and all '68 Astro-Vent)
\$19.00 ea

Parking Lamp



1709W	1961	Parking Lamp Lens, Clear	\$6.75 ea
1710F	1963	Parking Lamp Housing, RH/LH	\$23.00 ea
1710	1964	Parking Lamp Assembly	\$32.50 ea

Back Up Lenses & Trim



1714A	1960	Back Up Lens, Clear	\$6.75 ea
1714B	1961	Back Up Lens, White/Red	\$6.75 ea
1714C	1962	Back Up Lens, White/Red	\$5.50 ea
1714D	1963	Back Up Lens, White/Red	\$5.50 ea
1713	1964	Back Up Lens, White/Red with Trim	\$16.25 ea
1714F	1965	Back Up Lens	\$12.25 ea

Tail Lamp Components



1710A	1962	Tail Lamp Lens, Red	\$5.50 ea
1710B	New 1962	Tail Lamp Lens Trim	<i>Coming Soon!</i>
1734A	1963	Tail Lamp Housing, RH (3 per car)	\$28.50 ea
1734B	1963	Tail Lamp Housing, LH (3 per car)	\$28.50 ea
1711	1963	Tail Lamp Lenses, 3 Pcs. With Chrome Trim	\$38.00 set
1714E	1963	Tail Lamp Lens Trim	\$6.75 ea
1734C	1964	Tail Lamp Housing	\$29.75 ea
1712	1964	Tail Lamp Lens, Red With Chrome Trim	\$13.50 ea
1714	1965	Tail Lamp Lens, Red With Chrome Trim	\$13.50 ea

Headlamp Switches



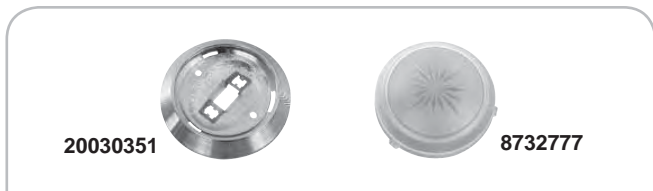
M1013A	1955-56	Headlamp Switch	\$32.50 ea
LH01	1962-72	Headlamp Dimmer Switch	\$5.00 ea
M1013	1964-67	Headlamp Switch	\$9.50 ea
M1013B	1969-84	Headlamp Switch	\$12.25 ea

Cig. Lighter



7031884	1967	Cigarette Lighter	\$19.00 ea
---------	------	-------------------	------------

Dome Light



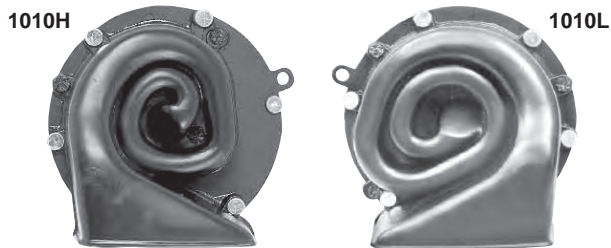
8732777	1971-81	Dome Light Lens	\$5.50 ea
20030351	1971-81	Dome Light Base	\$13.50 ea

Wiper Switches

1702P	1959-63	Windshield Wiper Switch, 2 Speed W/ Washer	\$35.25 ea
1702Q	1965-66	Windshield Wiper Switch, 2 Speed W/ Washer	\$32.50 ea



Horns

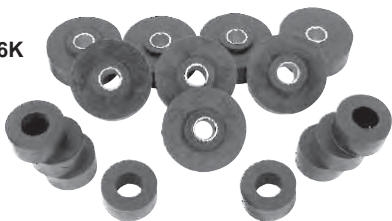


1010H	1962-72	Horn - High
1010L	1962-72	Horn - Low

\$52.75 ea

Body Bushing Kits

M1726K



M1726K	1960-64	Body Bushings, 8 Large, 8 Small
--------	---------	---------------------------------

\$23.00 set

M1728	1965-66	Body Bushings w/bolts, Hard Top
-------	---------	---------------------------------

\$93.25 set

M1728A	1965-66	Body Bushings w/bolts, Convertible
--------	---------	------------------------------------

\$106.75 set

M1728B	1967-68	Body Bushings w/bolts, Hard Top
--------	---------	---------------------------------

\$93.25 set

M1728C	1967-68	Body Bushings w/bolts, Convertible
--------	---------	------------------------------------

\$106.75 set

M1728D	1969-70	Body Bushings w/bolts, Hard Top
--------	---------	---------------------------------

\$93.25 set

M1728E	1969-70	Body Bushings w/bolts, Convertible
--------	---------	------------------------------------

\$106.75 set

Tr. Arm Bushings

M1726L



M1726M



M1726L	1959-64	Trailing Arm Bushings, Upper Front & Rear / Lower Rear
--------	---------	--

	1965-70	Trailing Arm Bushings, Lower Front (With Large Diameter Bushings)
--	---------	---

M1726M	1959-64	Trailing Arm Bushings, Lower Front
--------	---------	------------------------------------

\$9.50 ea

Ctrl. Arm Bumper



1007	1958-70	Control Arm Bumper
------	---------	--------------------

\$2.50 ea

Ignition Locks

102



161	1958-64	Original	\$12.25 kit
-----	---------	----------	--------------------

157	1958-64	Octagonal	\$9.50 kit
-----	---------	-----------	-------------------

158A	1965	Original	\$11.00 kit
------	------	----------	--------------------

158	1965	Octagonal	\$8.25 kit
-----	------	-----------	-------------------

100A	1966-67	Original	\$12.25 kit
------	---------	----------	--------------------

100	1966-67	Later	\$9.50 kit
-----	---------	-------	-------------------

102	1969-78	Later	\$12.25 kit
-----	---------	-------	--------------------

Ignition & Door Locks

160A



243	1958	Original w/flat pawl	\$40.50 kit
-----	------	----------------------	--------------------

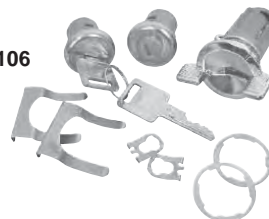
160A	1958 1961-64	Original w/long cyl.	\$38.00 kit
------	-----------------	----------------------	--------------------

457	1959-60	Orig. w/long cyl. & pawl	\$40.50 kit
-----	---------	--------------------------	--------------------

250	1961-64	Original w/flat pawl	\$40.50 kit
-----	---------	----------------------	--------------------

143A	1965	Original	\$38.00 kit
------	------	----------	--------------------

106



104A	1966-68	Octagonal	\$25.75kit
------	---------	-----------	-------------------


104	1966-72	Later	\$21.75 kit
-----	---------	-------	--------------------

106	1969-78	Later	\$25.75 kit
-----	---------	-------	--------------------

219	1971-76	Later	\$27.00 kit
-----	---------	-------	--------------------




424



422	1958	Original w/ long cylinder	\$66.25 kit
423	1958	Original w/ short cylinder	\$66.25 kit
424	1961-62	Original w/ long cylinder	\$56.75 kit
425	1961-62	Original w/ short cylinder & pawl	\$59.50 kit
426	1963	Original w/ long cylinder	\$63.50 kit
427	1963	Original w/ short cylinder & pawl	\$66.25 kit
428	1964	Original w/ long cylinder	\$63.50 kit
429	1964	Original w/ short cylinder & pawl	\$66.25 kit
430	1965	Original	\$52.75 kit
431	1966	Original	\$52.75 kit
332	1967	Original	\$51.50 kit
334	1969-70	Later	\$52.75 kit
335	1971-76	Later	\$66.25 kit

Ignition, Door, Glove & Trunk Kits


172A



172A	1958-60 1963	Original	\$29.75 kit
172	1958-60 1963	Later	\$25.75 kit
460	1959	Original	\$39.25 kit
171A	1961-62	Original	\$29.75 kit
171	1961-62	Later	\$25.75 kit
121A	1964	Original	\$29.75 kit
121	1964	Later	\$25.75 kit
174A	1965-66	Original	\$29.75 kit
174	1965	Later	\$25.75 kit
175A	1967	Original	\$29.75 kit
175	1967	Later	\$25.75 kit
150A	1968	Original	\$32.50 kit
150	1968-76	Later	\$28.50 kit

Glovebox & Trunk Lock Kits


461



112AR	1958	Original w/ original ribbed cap	\$17.75 kit
112	1958-94	Later (excluding 1959)	\$12.25 kit
461	1959	Original	\$24.50 kit
112A	1960-68	Original	\$15.00 kit

Trunk Locks

1575




1575	1953-94	Later (Kit with pawl)	\$9.50 kit
------	---------	-----------------------	-------------------

Trunk Lock Kit

See also our Lock Section for more details...


168A



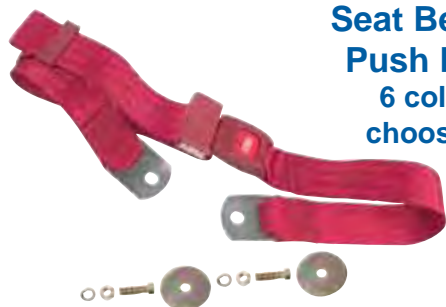
168A	1958-60 1963	Original	\$20.25 kit
168	1958-60 1963	Later	\$17.75 kit
169A	1961-62	Original	\$20.25 kit
169	1961-62	Later	\$17.75 kit
118A	1964	Original	\$20.25 kit
118	1964	Later	\$16.25 kit

Glovebox Locks

166



165A	1965-66	Original	\$20.25 kit
165	1965-66	Later	\$16.25 kit
166A	1967	Original	\$20.25 kit
166	1967	Later	\$16.25 kit
119A	1968-76	Original	\$20.25 kit
119	1968-76	Later	\$16.25 kit



Seat Belts with Push Button:
6 colors to choose from

60 Inch Belts

SBP-BK60	Seat Belt with Push Button	Black
SBP-GR60	Seat Belt with Push Button	Grey
SBP-TAN60	Seat Belt with Push Button	Tan
SBP-NB60	Seat Belt with Push Button	Navy Blue
SBP-RED60	Seat Belt with Push Button	Red
SBP-MAR60	Seat Belt with Push Button	Maroon

\$19.00 ea



74 Inch Belts

SBP-BK74	Seat Belt with Push Button	Black
SBP-GR74	Seat Belt with Push Button	Grey
SBP-TAN74	Seat Belt with Push Button	Tan
SBP-NB74	Seat Belt with Push Button	Navy Blue
SBP-RED74	Seat Belt with Push Button	Red
SBP-MAR74	Seat Belt with Push Button	Maroon

\$20.25 ea

SBR-BK



SBEXT-BK

SBR-BK	Retractable 3 Point Seat Belt with Push Button	Black
--------	--	--------------

\$59.50 ea

SBEXT-BK	Seat Belt Extension, 12 in.	Black
----------	-----------------------------	--------------

\$13.50 ea

See also Accessory Section for more details...



Seat Belts with Lift Latch:
10 colors to choose from

60 Inch Belts

SBL-BK60	Seat Belt with Lift Latch	Black
SBL-WT60	Seat Belt with Lift Latch	White
SBL-LG60	Seat Belt with Lift Latch	Light Grey
SBL-DG60	Seat Belt with Lift Latch	Dark Grey
SBL-LT60	Seat Belt with Lift Latch	Light Tan
SBL-DT60	Seat Belt with Lift Latch	Dark Tan
SBL-LB60	Seat Belt with Lift Latch	Light Blue
SBL-DB60	Seat Belt with Lift Latch	Dark Blue
SBL-BR60	Seat Belt with Lift Latch	Bright Red
SBL-DR60	Seat Belt with Lift Latch	Dark Red

\$20.25 ea



74 Inch Belts

SBL-BK74	Seat Belt with Lift Latch	Black
SBL-WT74	Seat Belt with Lift Latch	White
SBL-LG74	Seat Belt with Lift Latch	Light Grey
SBL-DG74	Seat Belt with Lift Latch	Dark Grey
SBL-LT74	Seat Belt with Lift Latch	Light Tan
SBL-DT74	Seat Belt with Lift Latch	Dark Tan
SBL-LB74	Seat Belt with Lift Latch	Light Blue
SBL-DB74	Seat Belt with Lift Latch	Dark Blue
SBL-BR74	Seat Belt with Lift Latch	Bright Red
SBL-DR74	Seat Belt with Lift Latch	Dark Red

\$21.75 ea

SBL-BK60BK



SBL-BK60BK	Seat Belt w/Black Wrinkle-Finish Latch	Black
------------	--	--------------

\$31.25 ea

SBL-BK74BK	Seat Belt w/Black Wrinkle-Finish Latch	Black
------------	--	--------------

\$32.50 ea